

HEAVY-DUTY FANS

D T Series

TURBO FANS

透浦送風機



Castle Blower, Inc.

About us

We have devoted ourselves in designing and manufacturing fans and blowers for industrial usages. Features of our fans and blowers include: high efficiency, low vibration, low noise, long life, and low running cost. The experiences of solving all types of problems that our clients had encountered have enriched our knowledge and capability.

DT Series fans are designed for industrial processes, dust collecting, pneumatic conveying and air conditioning. We also design other fans and blowers according to your specific requests. DT Series are excellent and best choice for your process solution.

Designs & Constructions

Gas Delivered

Air, Steam, Gas and Fume that is hot, erosive, corrosive, dust-content, explosive and toxic gas

Materials

Carbon Steel, Heat-Resistant Steel, Stainless Steel, Titanium, Nickel and other alloys,

Corrosion-Resistant Coating: Rubber and Fiber-glass

Wear-Resistant Treatment: Liner, Ceramic, Beads of Weld, and Spray Coating

Tightness

Standard: no special requirements for gas conveying under general conditions

Gas-Tight: used when the gas delivered shall not leak

Seals

V-Ring Seal, Multi-plate Seal, Labyrinth Seal, Gland Packing Seal, Mechanical Seal, Water Seal



Features of DT Series

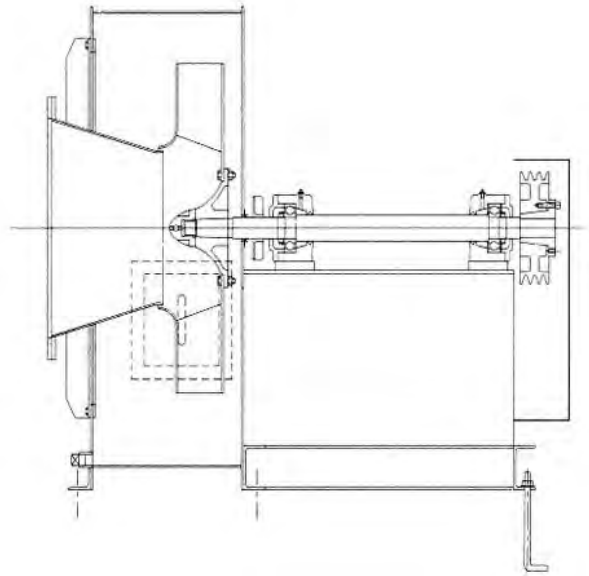
- ✓ A manhole and drain-hole are standard accessories. It is encased in a casing with smooth interior to ensure smooth airflow, and very convenient to check and clean the impeller.
- ✓ Located at top of a fan/blower, the hanging hook, fabricated from a complete steel sheet, is suitable for hanging in all directions and will not be deformed due to varied hanging direction.
- ✓ The precise and solid outside welding, the seams of scroll casing are free from moisture seepage and rusting corrosion.
- ✓ A unique design of inlet cone solves ineffective circular flow within the casing to improve efficiency and reduce noise
- ✓ The rotating elements are dynamically balanced by “HOFFMANN” computer balancing machines.
- ✓ The inlet cone and impeller is connected by insertion which ensures smooth airflow, back-stream and low noise.
- ✓ The entire series are fitted with tapered sleeve V-belt, featuring precise center alignment, easy dismantling and reloading of the conveyor pulley without requiring a puller.
- ✓ The connection of impeller and shaft uses tapered shaft configuration that ensures tight fit, precise center alignment and easy dismantling and reloading.
- ✓ The coupling of fan/blower operates on a tapered sleeve, featuring precise center alignment, easy dismantling and reloading without requiring a puller.
- ✓ The entire series of fan/blower are fitted with Sweden-imported SKF bearings.
- ✓ The entire series are fitted with German-imported “Opti-belt”, high tensile V-belt featuring long life time and strong transmission horsepower.



Drive Arrangement

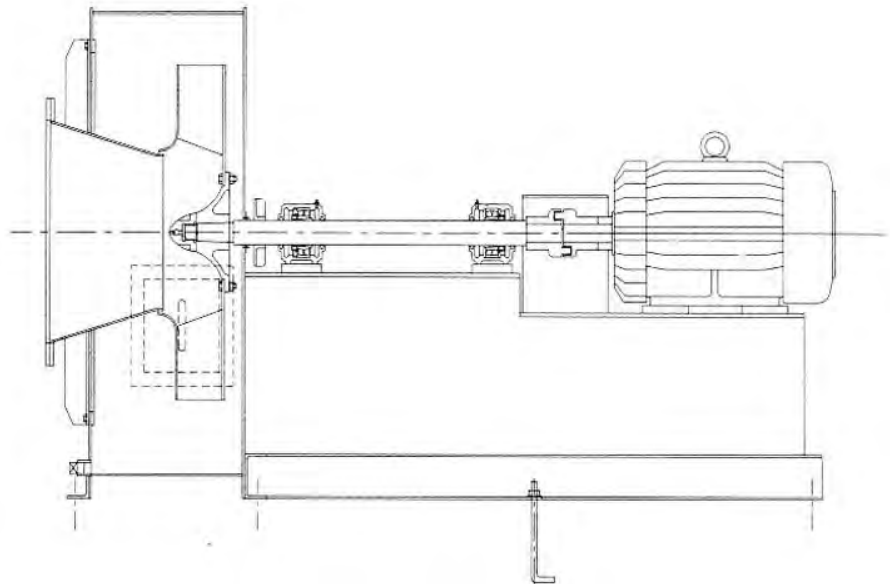
BD

Belt Drive



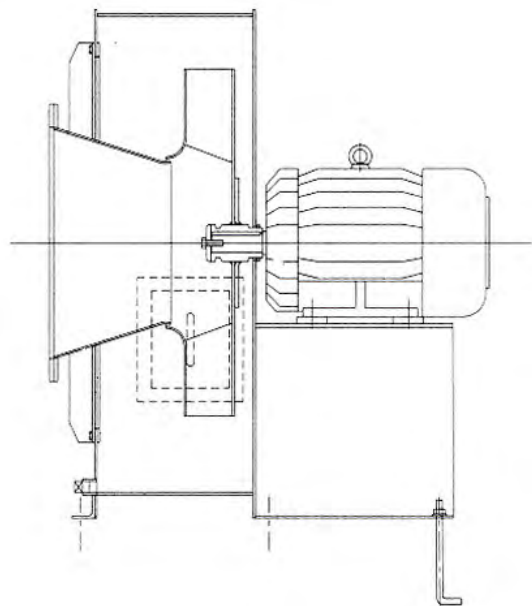
CD

Coupling Direct Drive



HMD

Horizontal Motor Direct Drive



Technical Data

Terminology

- Capacity: Capacity at inlet condition
- Static pressure: Outlet pressure of blower (at inlet STP of air)
- Power (HP): Motor rated required at the point of capacity and static pressure
- STP: 20 °C, 1atm, RH = 65% ($\gamma=1.2\text{kg/m}^3$ for Air)
- NTP: 0 °C, 1atm, RH = 0% ($\gamma=1.293\text{kg/m}^3$ for Air)
- η_{max} : The highest efficiency point

Conversion

Capacity in this catalogue is the inlet capacity.

Static Pressure is the outlet pressure (Inlet gas is STP air).

If the operation specifications differ from the above conditions, please convert according to the following formulas.

Capacity (Q):

When Capacity is Q_N (NTP) condition, please convert it into Q (STP).

$$Q = Q_N \times \frac{273 + T_1}{273} \times \frac{10332}{P_1 - 0.378\phi P_{\text{sat}}} \text{ (m}^3\text{/min)}$$

Q(m³/min): Capacity showing in this catalogue

Q_N (Nm³/min): Capacity at NTP condition

t_1 (°C): The temp at the inlet of a blower

P_s (mmAq): Static Pressure showing in this catalogue

P_{so} (mmAq): Operating Static Pressure

P_1 (mmAq): Inlet absolute pressure

ϕ (%): Relative humidity

P_{sat} (mmAq) Saturated vapor pressure

Static Pressure (Ps):

1. When the temp of the suction is not at 20°C,

$$P_s = P_{so} \times \frac{273 + t_1}{293} \text{ (mmAq)}$$

2. When P_s is at vacuum (suction) condition,

$$P_s = P_{so} \times \frac{10332}{10332 - P_{so}} \text{ (mmAq)}$$

Blower Similarity Laws

$$\frac{Q_2}{Q_1} = \frac{N_2}{N_1}$$

$$\frac{P_{s2}}{P_{s1}} = \left(\frac{N_2}{N_1}\right)^2 = \frac{\gamma_2}{\gamma_1}$$

$$\frac{HP_2}{HP_1} = \left(\frac{N_2}{N_1}\right)^3 = \frac{\gamma_2}{\gamma_1}$$

Q: Capacity

P_s : Static Pressure

HP: Power

N: RPM of a blower

γ : Gas Density

Model Instruction

There are three rpms in DT Series Heavy Duty Fans.

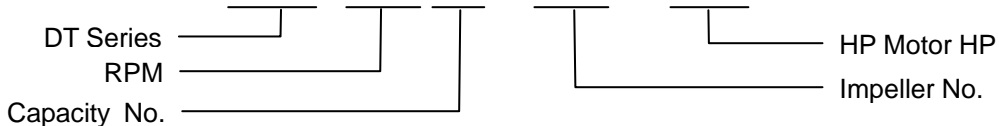
DT35 → 3560RPM

DT18 → 1750RPM

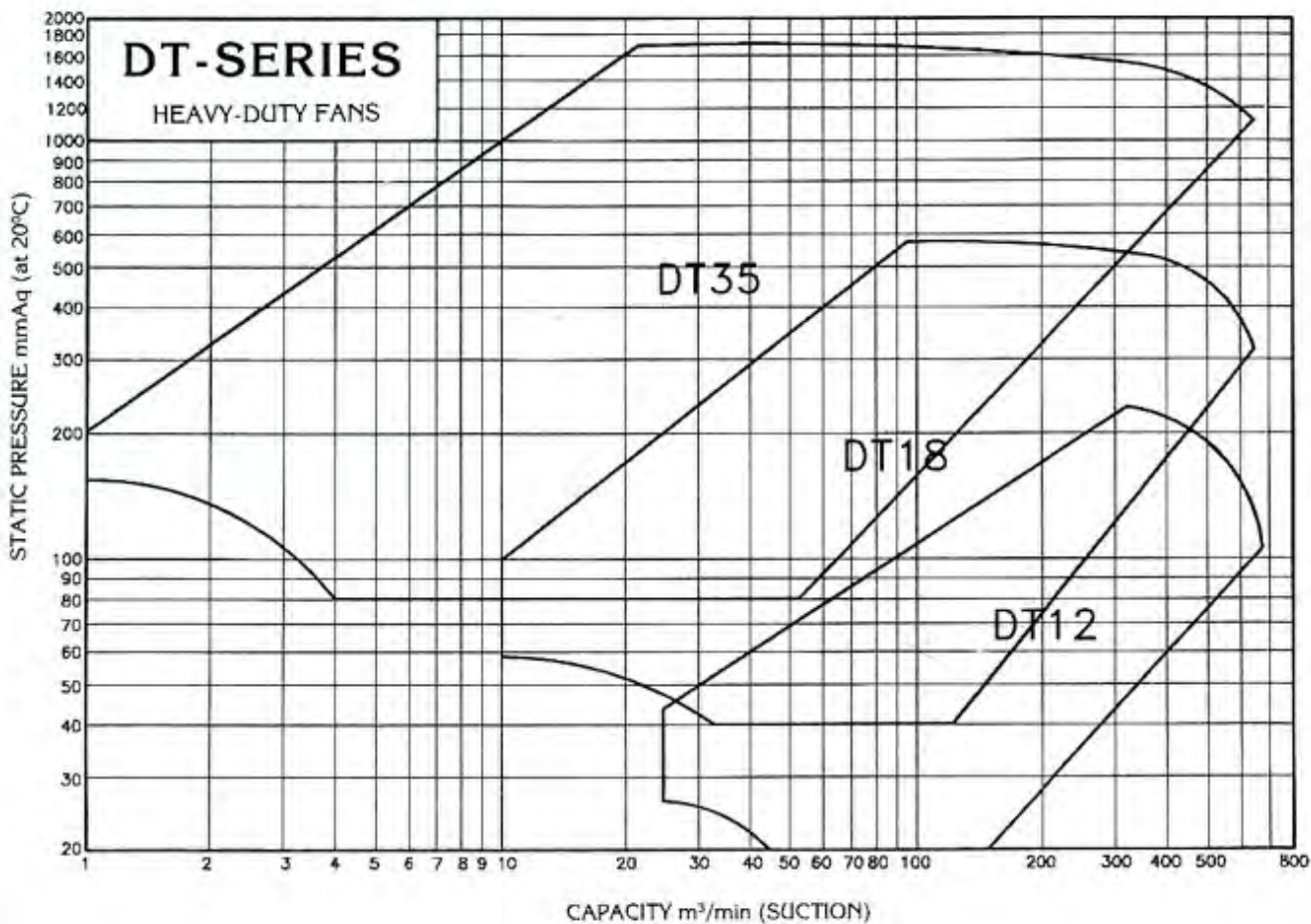
DT12 → 1160RPM

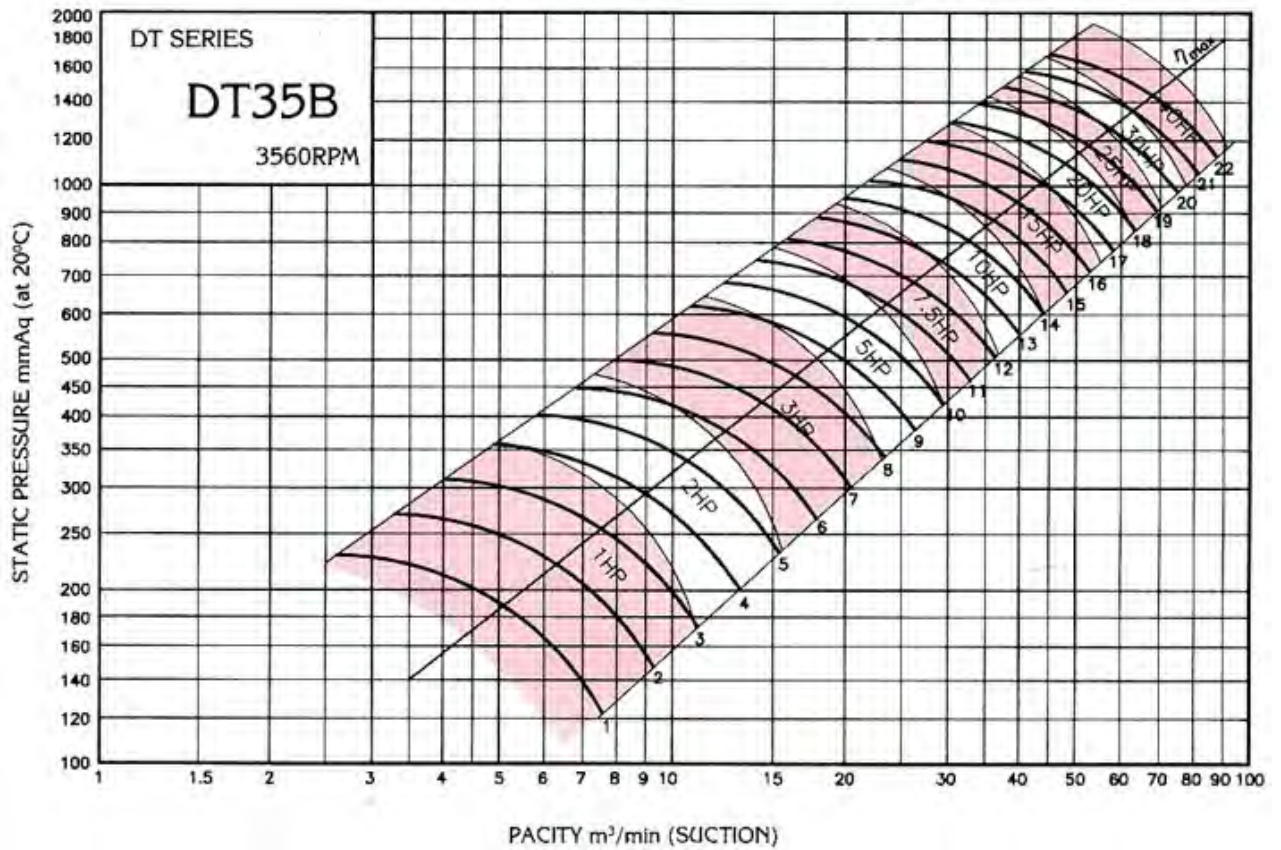
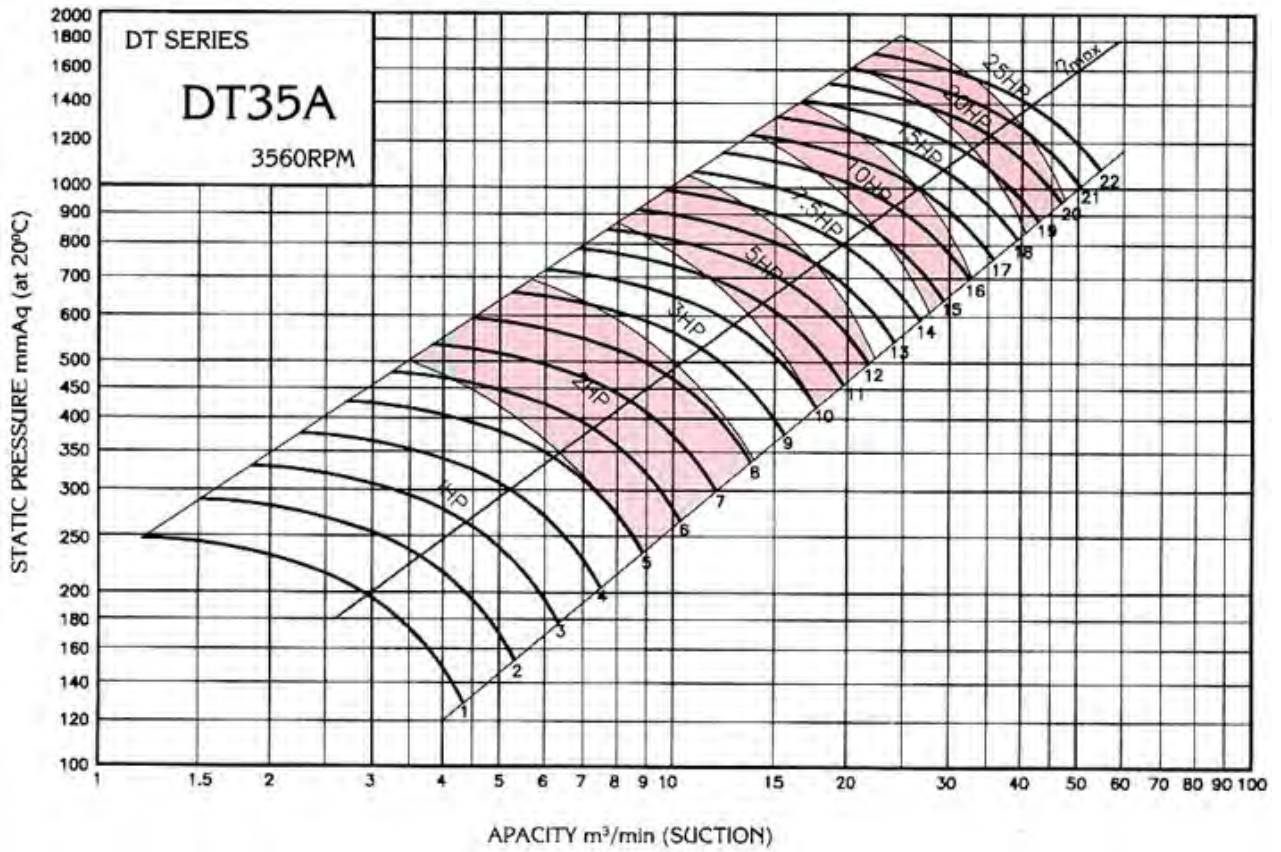
Example:

DT35D-15x30

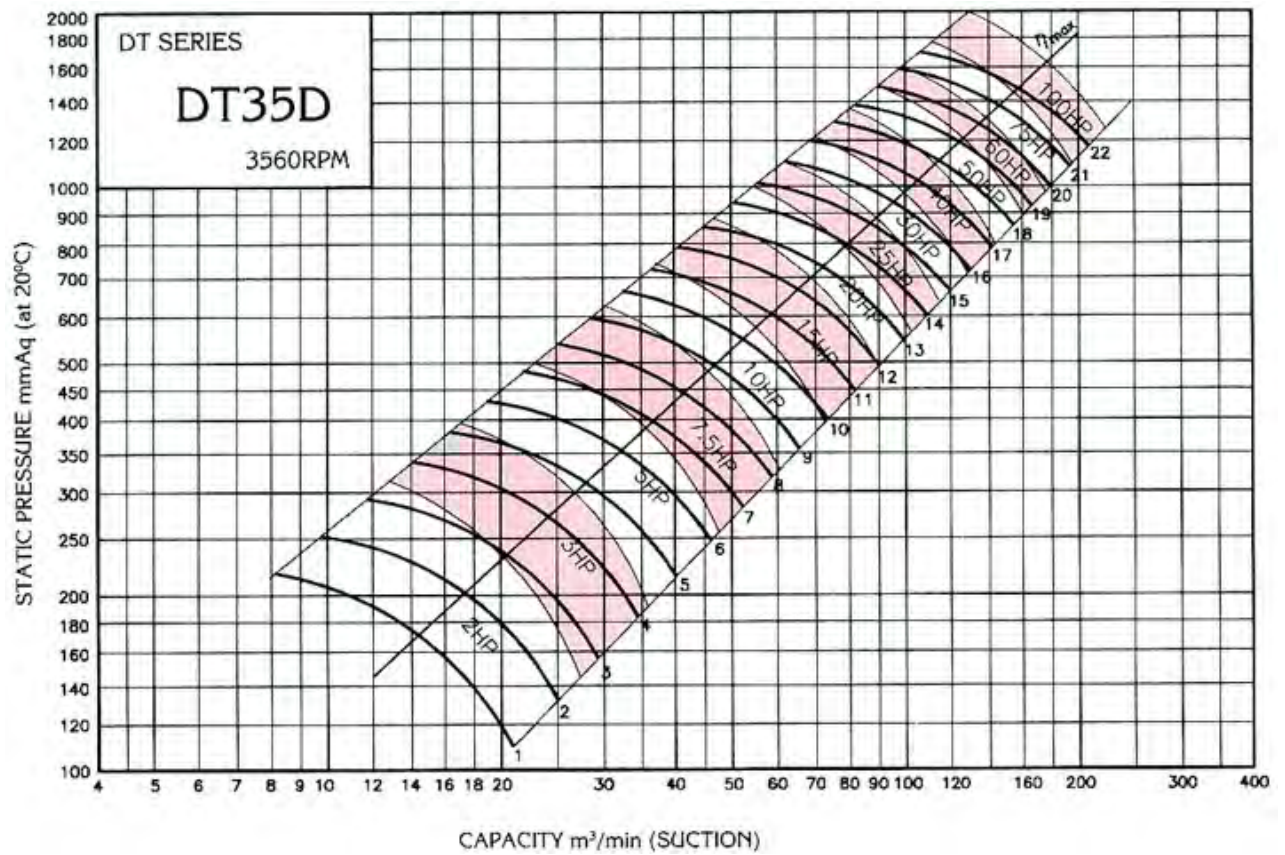
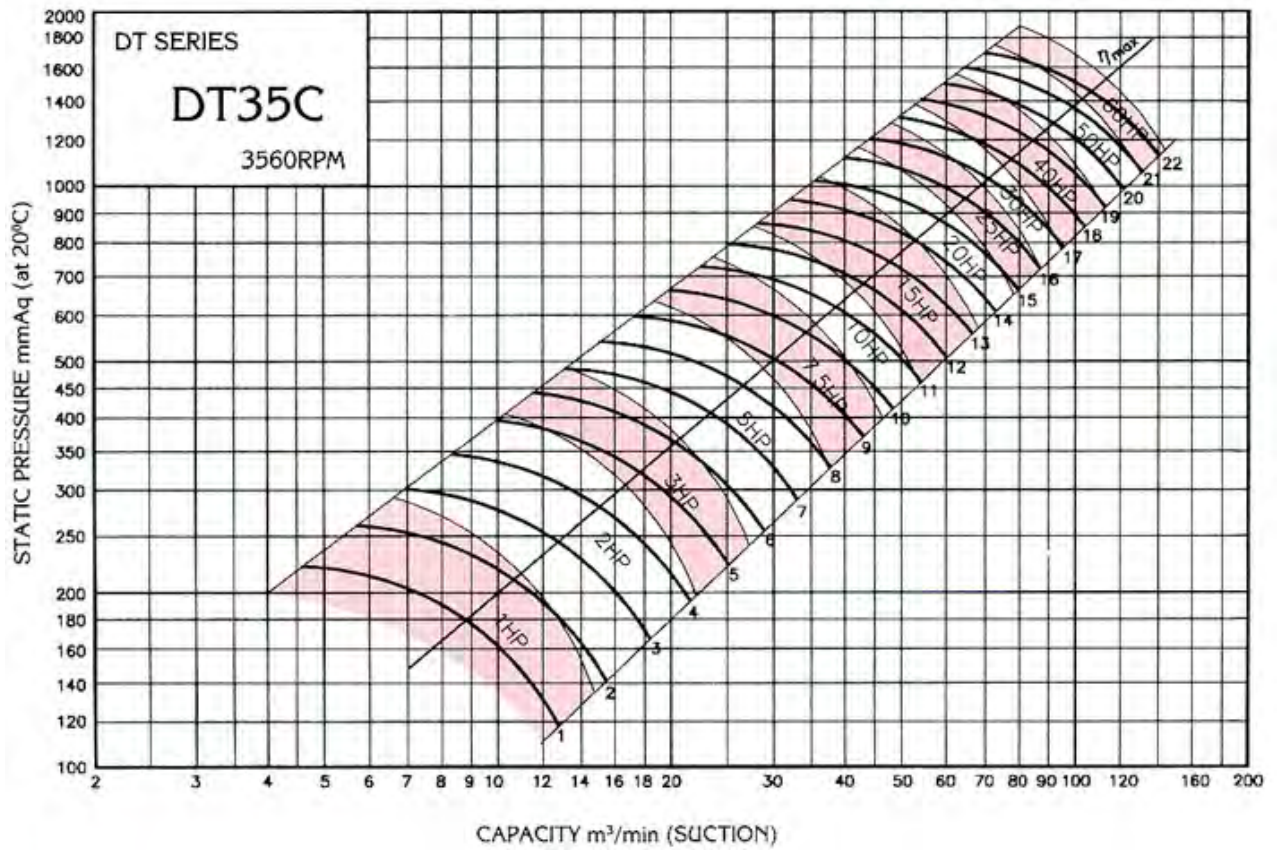


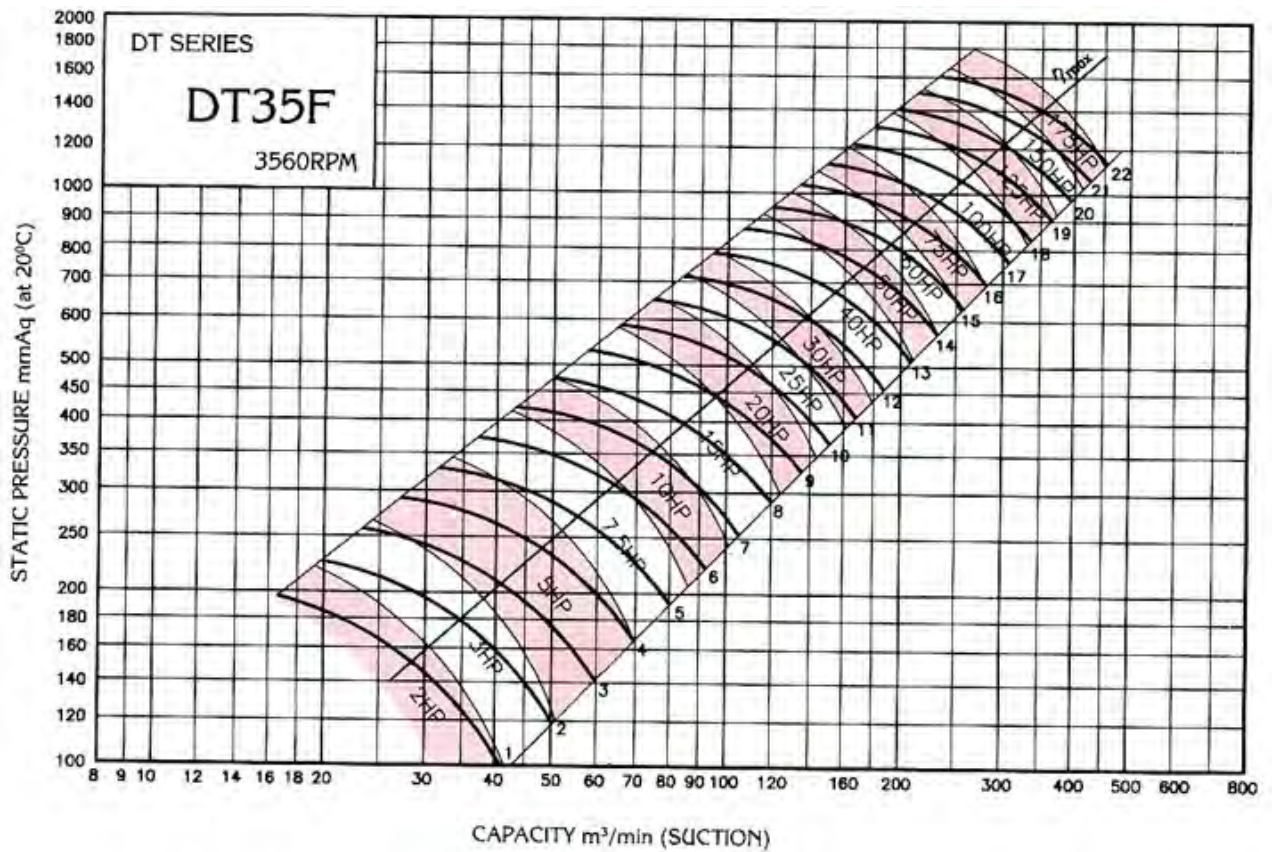
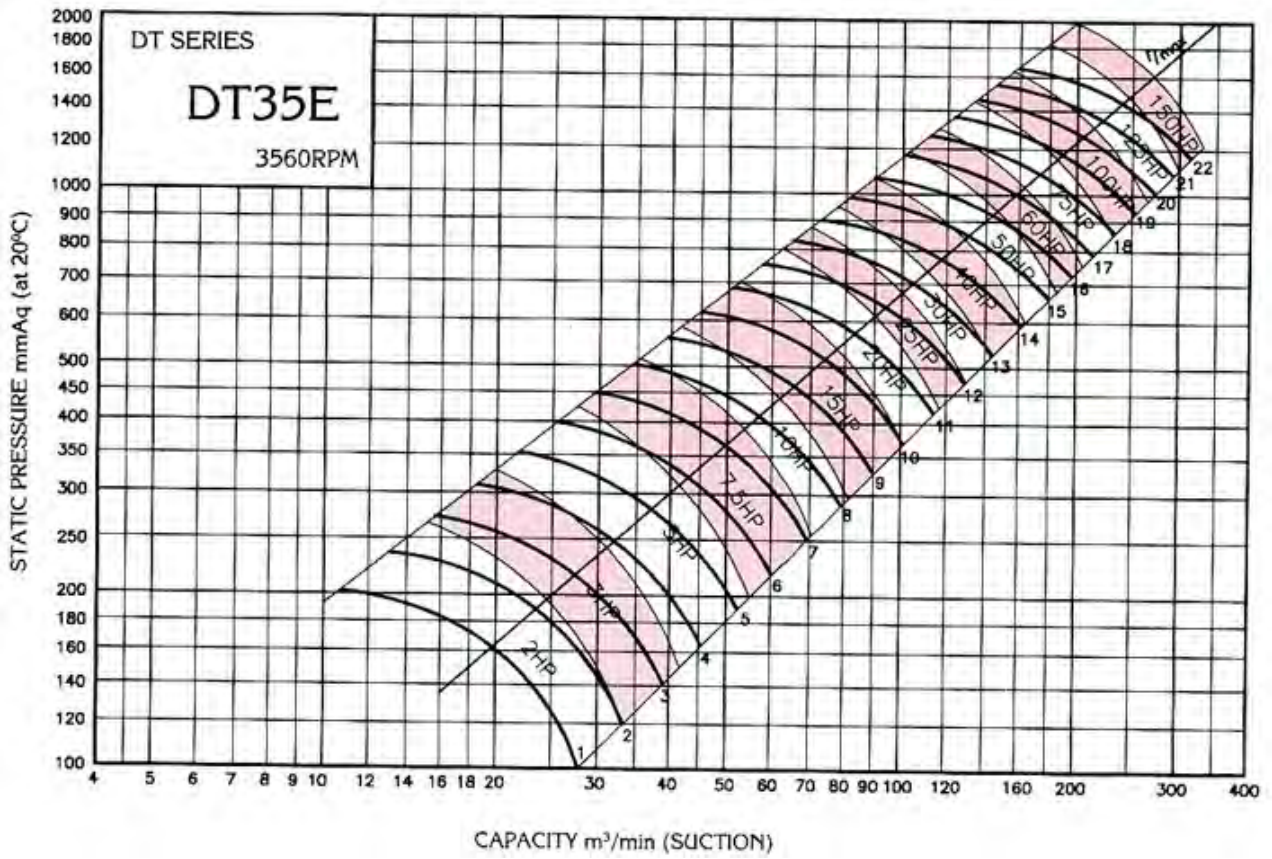
General Performance



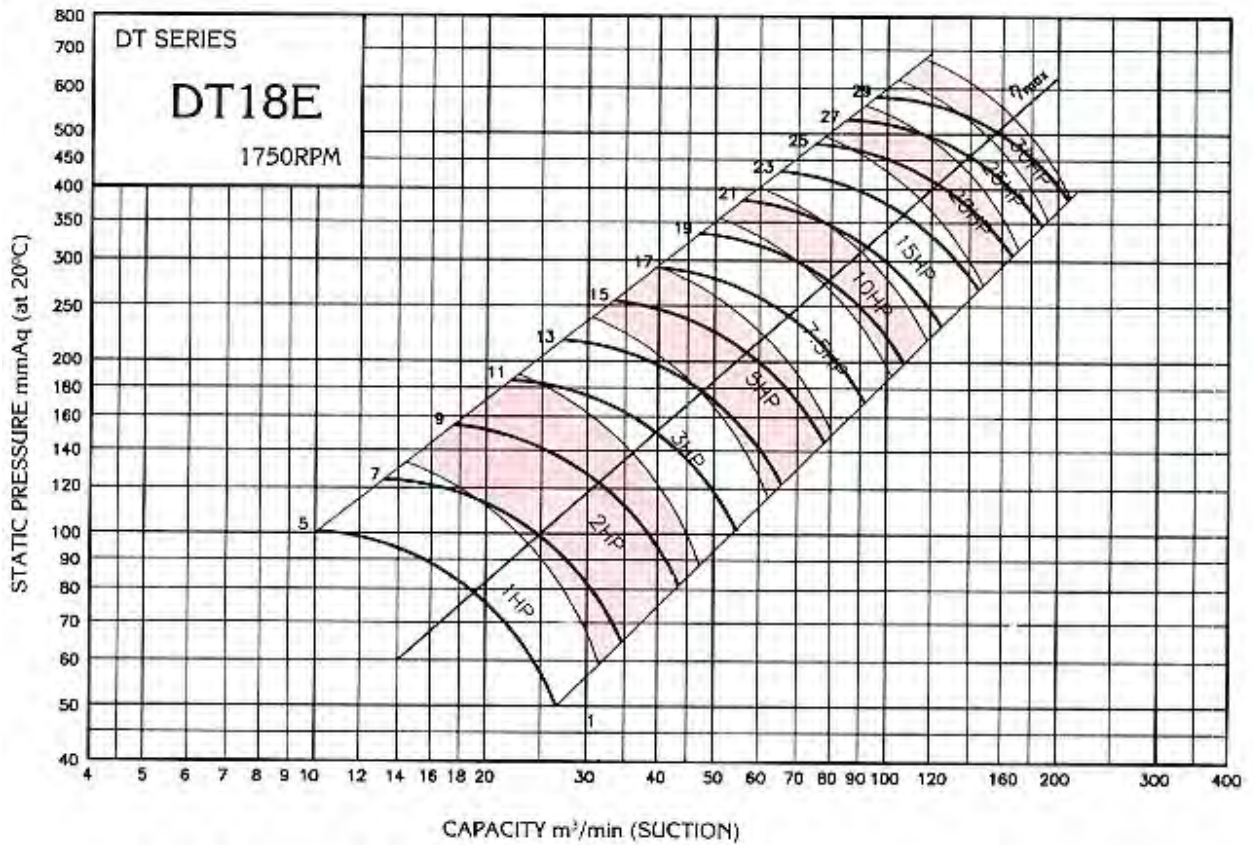
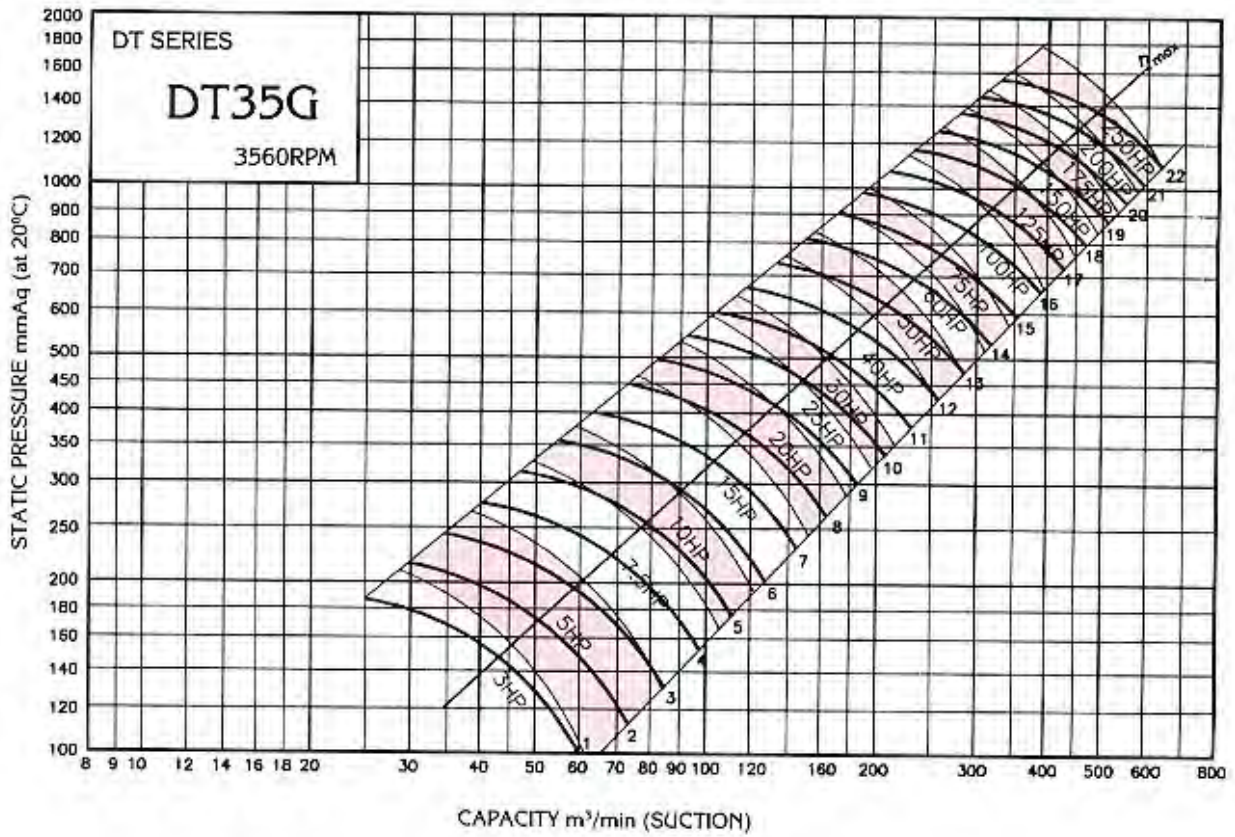


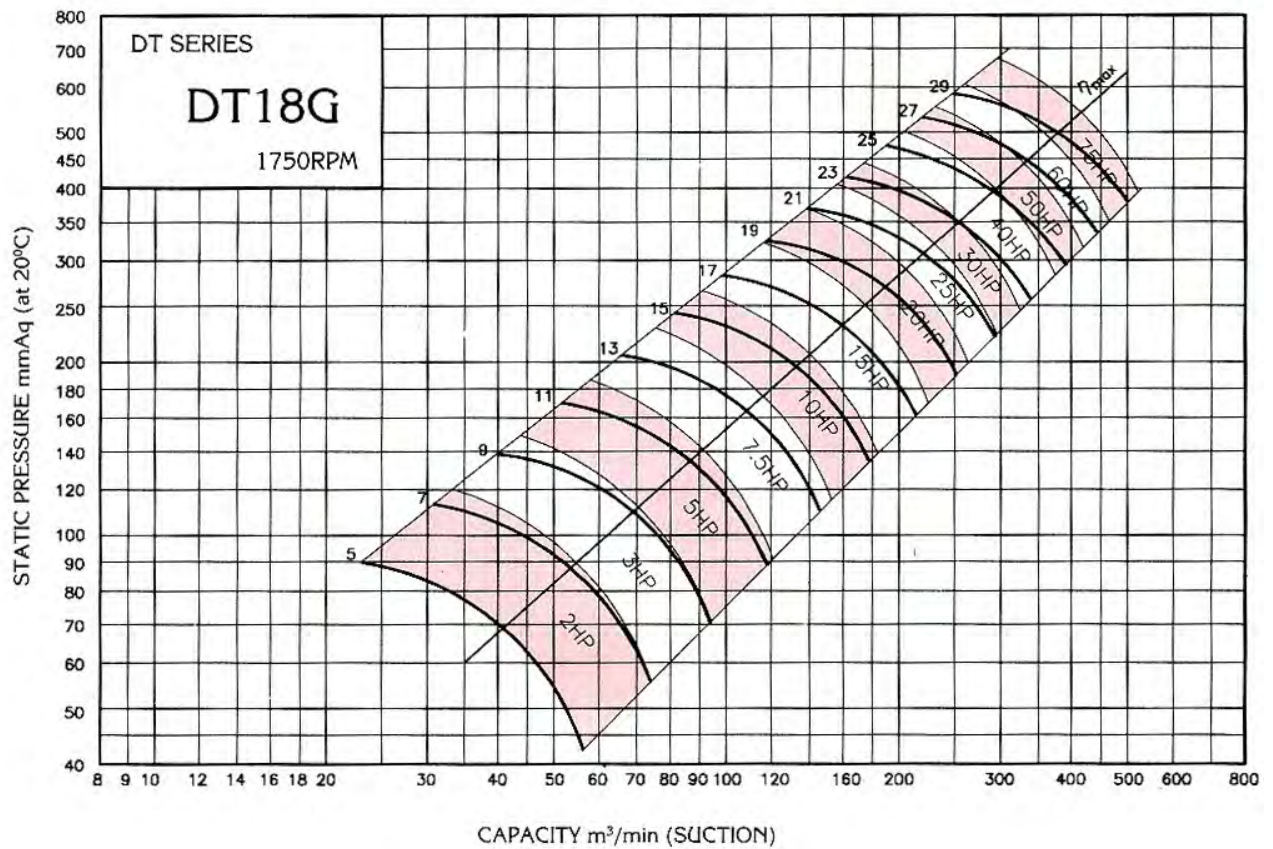
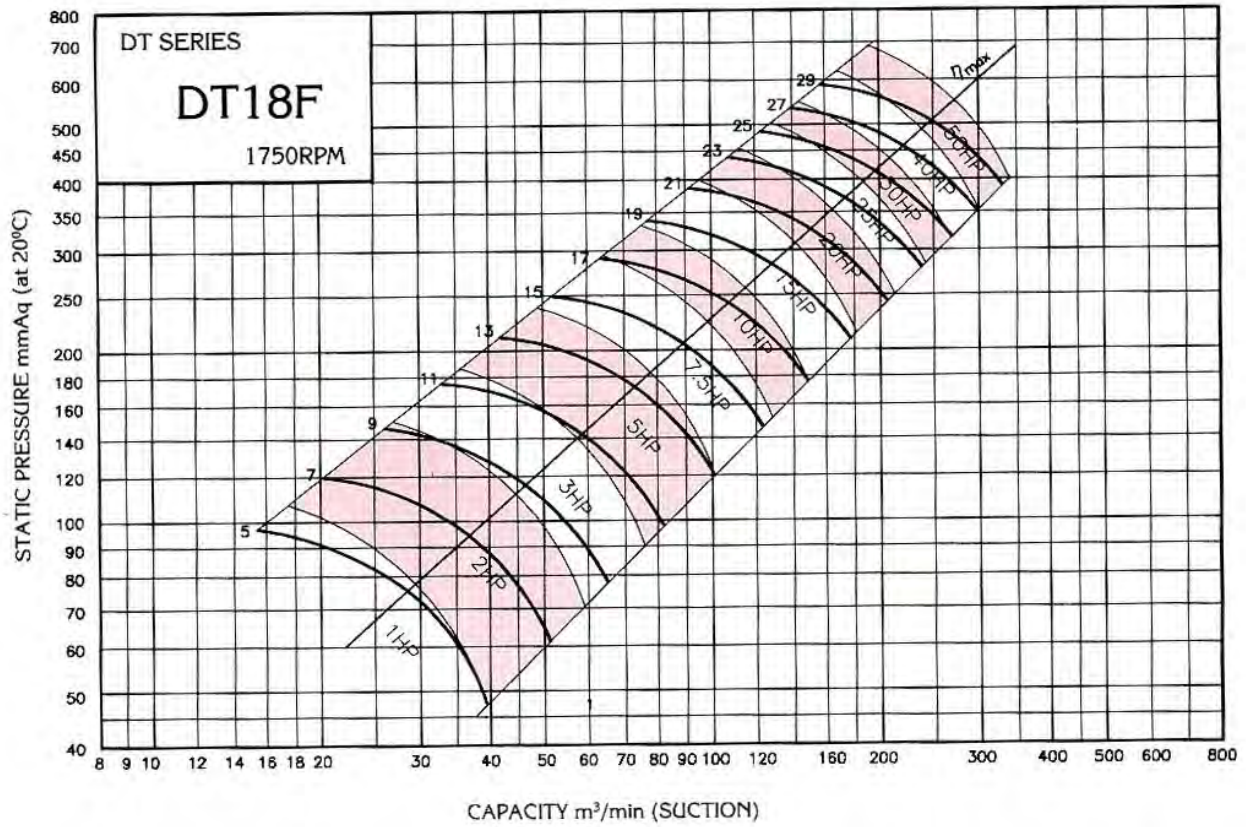
Castle Blower



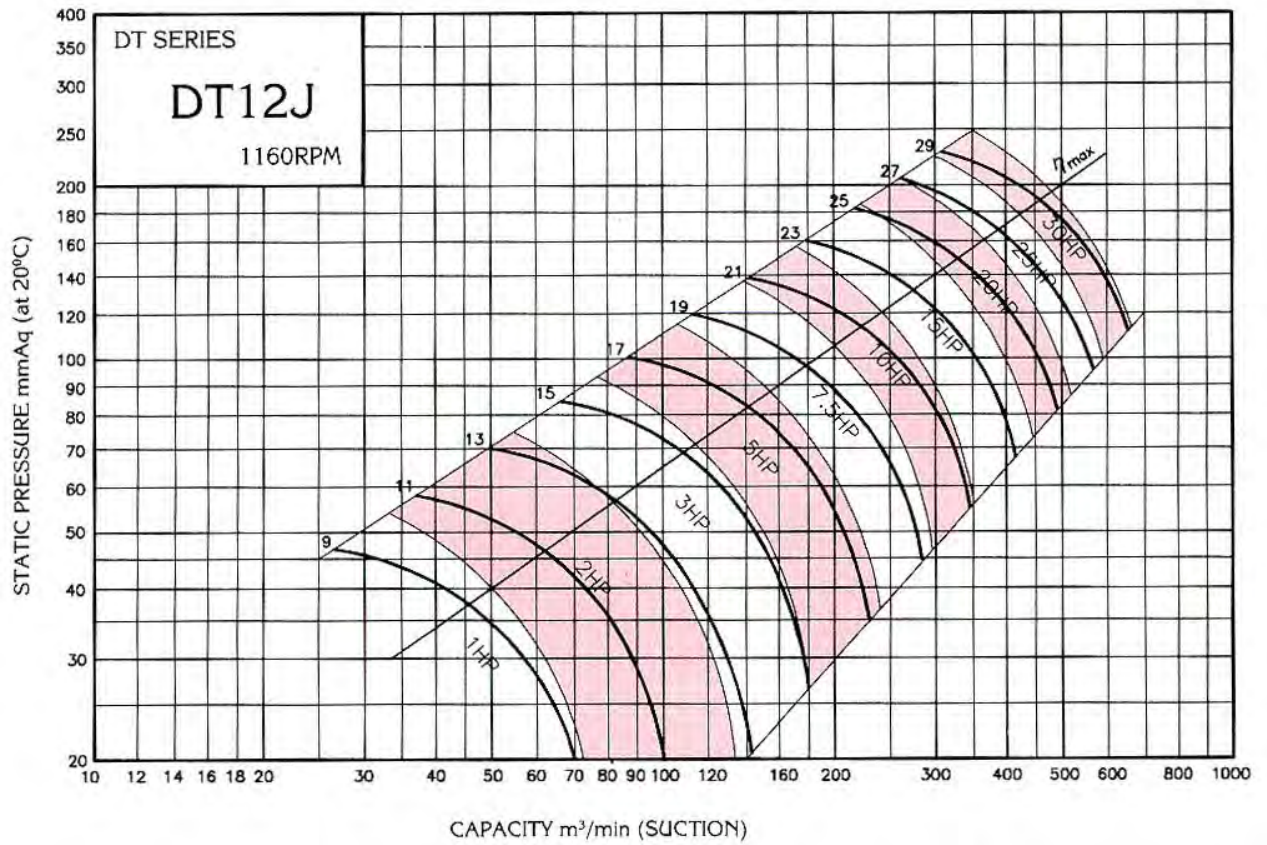
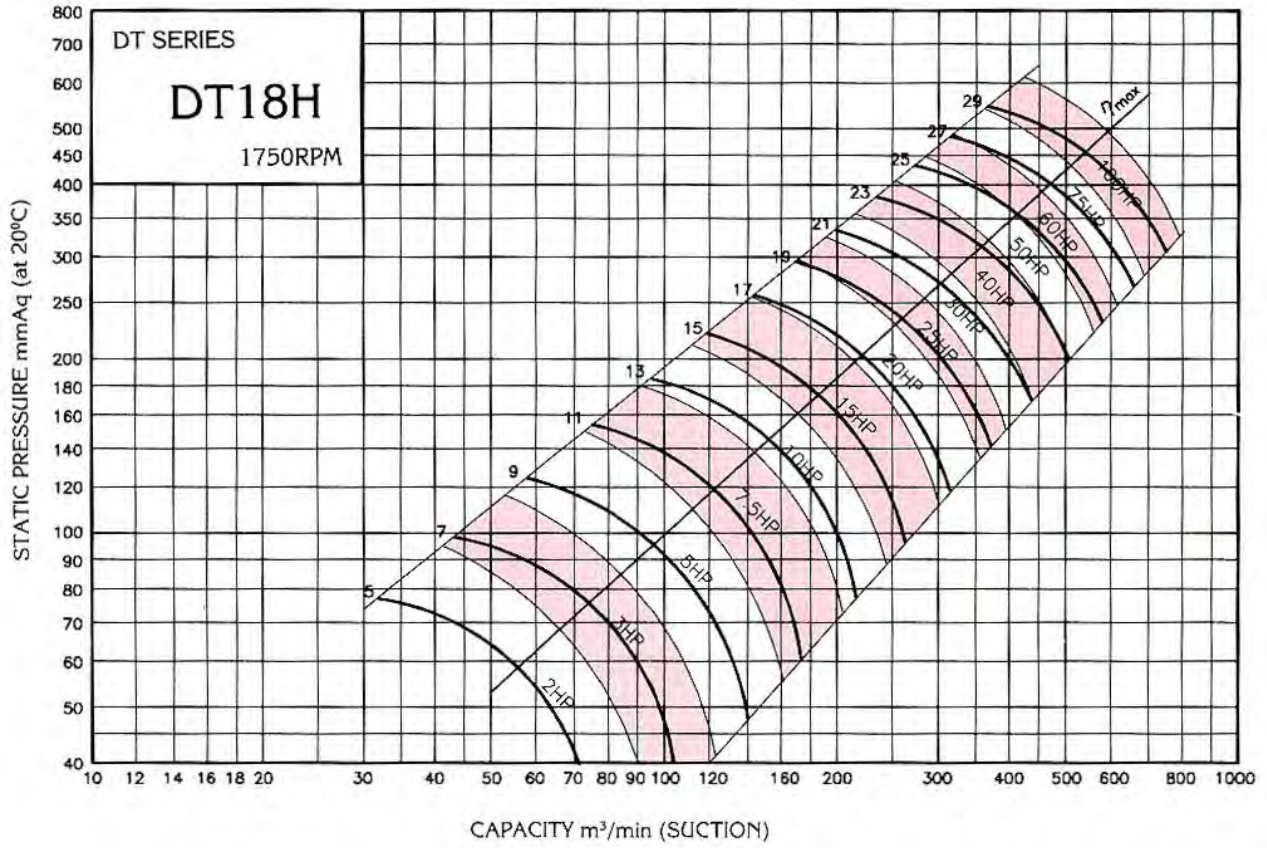


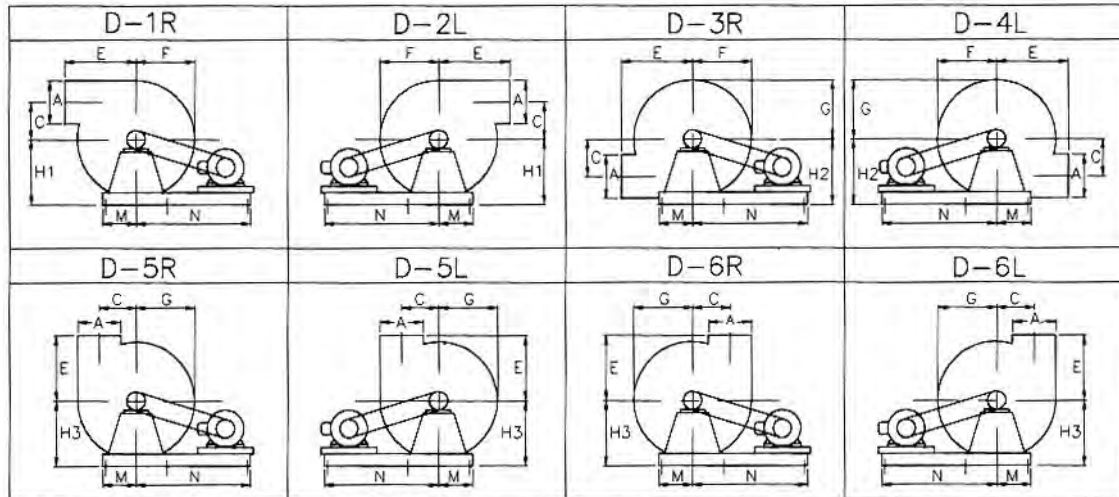
Castle Blower



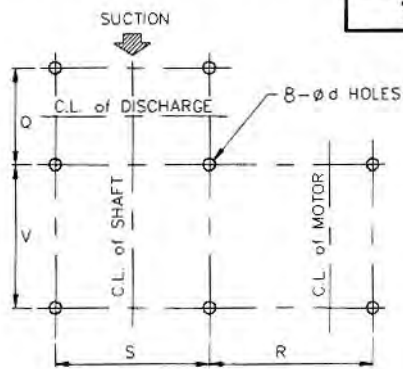


Castle Blower

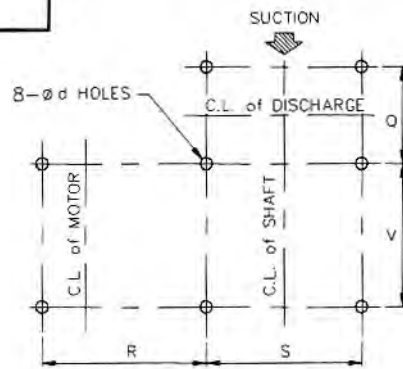




TOP VIEW



FOUNDATION (MOTOR AT RIGHT SIDE)

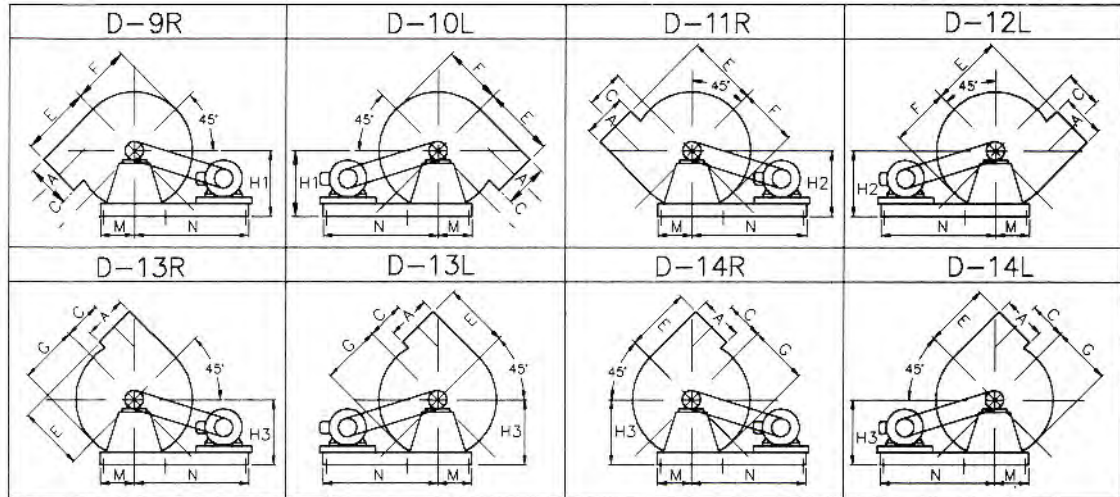


FOUNDATION (MOTOR AT LEFT SIDE)

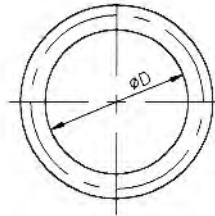
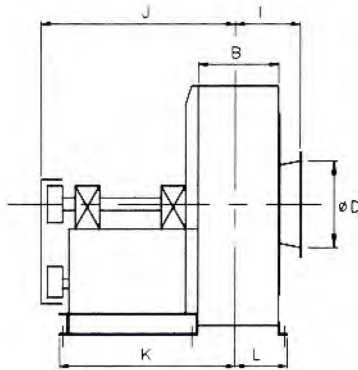
DT35A

DT35A		BELT-DRIVE																				
MODEL	HP	A	B	C	øD	E	F	G	H1	H2	H3	I	J	K	L	M	N	Q	R	S	V	ød
DT35A- 1	1	100	80	180	100	250	228	214	250	300	250	124	460	400	80	200	500	120	300	360	320	12
DT35A- 2	1	100	80	210	100	250	258	244	250	300	300	124	460	400	80	200	500	120	300	360	320	12
DT35A- 3	1	100	80	210	100	250	258	244	250	300	300	124	460	400	80	200	500	120	300	360	320	12
DT35A- 4	1	100	80	240	100	280	288	274	300	350	300	124	460	400	80	200	500	120	300	360	320	12
DT35A- 5	2	100	80	240	100	280	288	274	300	350	300	124	460	400	80	200	500	120	300	360	320	12
DT35A- 6	2	100	80	270	100	320	318	304	350	400	350	124	460	400	80	200	500	120	300	360	320	12
DT35A- 7	2	100	80	270	100	320	318	304	350	400	350	124	460	400	80	200	500	120	300	360	320	12
DT35A- 8	2	100	80	300	100	350	348	332	350	400	350	124	460	400	80	200	500	120	300	360	320	12
DT35A- 9	3	125	80	300	125	350	358	339	350	450	400	125	620	540	80	250	650	120	400	460	460	12
DT35A-10	3	125	80	330	125	380	388	370	400	450	400	125	620	540	80	250	650	120	400	460	460	12
DT35A-11	5	125	80	330	125	380	388	370	400	450	400	125	620	540	80	250	650	120	400	460	460	12
DT35A-12	5	125	80	360	125	410	419	402	450	500	450	125	620	540	80	250	650	120	400	460	460	12
DT35A-13	5.75	150	100	360	150	410	427	406	450	500	450	135	650	550	90	250	650	140	400	460	460	12
DT35A-14	7.5	150	100	390	150	440	457	436	450	550	500	135	650	550	90	250	650	140	400	460	460	12
DT35A-15	7.5, 10	150	100	390	150	440	457	436	450	550	500	135	650	550	90	250	650	140	400	460	460	12
DT35A-16	10	150	100	420	150	470	487	466	500	550	500	135	650	550	90	250	650	140	400	460	460	12
DT35A-17	10, 15	200	120	420	200	470	507	479	500	600	550	150	850	730	110	320	850	180	530	600	620	15
DT35A-18	15	200	120	450	200	500	537	509	550	650	550	150	850	730	110	320	850	180	530	600	620	15
DT35A-19	15, 20	200	120	450	200	500	537	509	550	650	550	150	850	730	110	320	850	180	530	600	620	15
DT35A-20	20	200	120	480	200	540	567	539	550	650	600	150	850	730	110	320	850	180	530	600	620	15
DT35A-21	20, 25	200	120	480	200	540	567	539	550	650	600	150	870	730	110	320	850	180	530	600	620	15
DT35A-22	25	200	120	510	200	580	597	569	600	700	600	150	870	730	110	320	850	180	530	600	620	15

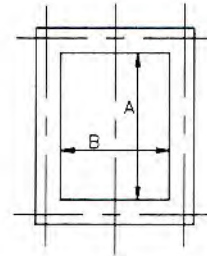
Castle Blower



RIGHT SIDE VIEW



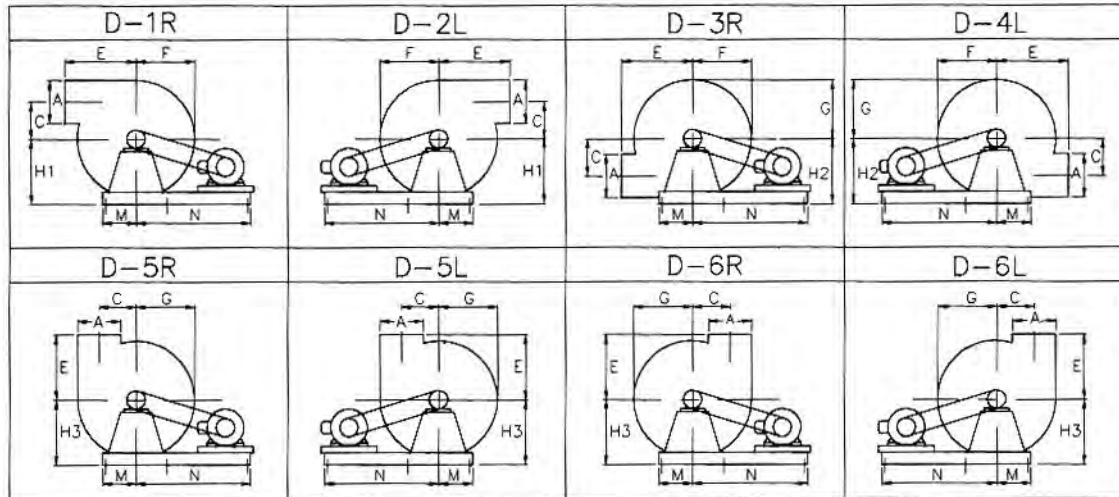
SUCTION (O.D.)



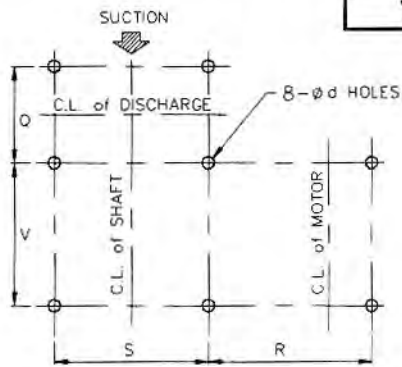
DISCHARGE (O.D.)

DT35B

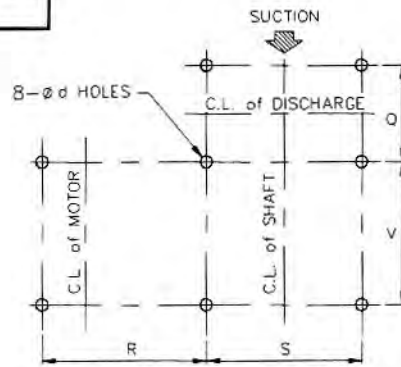
		DT35B [BD] BELT-DRIVE																				
MODEL	HP	A	B	C	øD	E	F	G	H1	H2	H3	I	J	K	L	M	N	Q	R	S	V	ød
DT35B- 1	1	100	80	180	100	250	228	214	250	300	250	124	460	400	80	200	500	120	300	360	320	12
DT35B- 2	1	125	80	210	125	250	267	249	250	350	300	124	460	400	80	200	500	120	300	360	320	12
DT35B- 3	1	125	80	210	125	250	267	249	250	300	300	124	460	400	80	200	500	120	300	360	320	12
DT35B- 4	2	125	80	240	125	280	297	279	300	350	300	124	460	400	80	200	500	120	300	360	320	12
DT35B- 5	2	125	80	240	125	280	297	279	300	350	300	124	460	400	80	200	500	120	300	360	320	12
DT35B- 6	3	125	80	270	125	320	328	300	350	400	350	125	620	540	80	250	650	120	400	460	460	12
DT35B- 7	3	150	100	270	150	320	337	316	350	400	350	135	650	550	90	250	650	140	400	460	460	12
DT35B- 8	3	150	100	300	150	350	367	346	350	450	400	135	650	550	90	250	650	140	400	460	460	12
DT35B- 9	5	150	100	300	150	350	367	346	350	450	400	135	650	550	90	250	650	140	400	460	460	12
DT35B- 10	5	150	100	330	150	380	397	376	400	500	400	135	650	550	90	250	650	140	400	460	460	12
DT35B- 11	7.5	150	100	330	150	380	397	376	400	500	400	135	650	550	90	250	650	140	400	460	460	12
DT35B- 12	7.5	200	120	360	200	410	445	417	450	550	450	145	660	560	100	250	650	160	400	460	460	12
DT35B- 13	7.5,10	200	120	360	200	410	445	417	450	550	450	145	660	560	100	250	650	160	400	460	460	12
DT35B- 14	10	200	120	390	200	440	467	449	450	550	500	145	660	560	100	250	650	160	400	460	460	12
DT35B- 15	10, 15	200	120	390	200	440	467	449	450	550	500	145	850	730	110	320	850	180	530	600	620	15
DT35B- 16	15	250	150	420	250	470	524	488	500	600	550	165	865	745	125	320	850	210	530	600	620	15
DT35B- 17	15, 20	250	150	420	250	470	524	488	500	600	550	165	865	745	125	320	850	210	530	600	620	15
DT35B- 18	20	250	150	450	250	500	555	520	550	650	600	165	865	745	125	320	850	210	530	600	620	15
DT35B- 19	25	250	150	450	250	500	555	520	550	650	600	165	885	745	125	320	850	210	530	600	620	15
DT35B- 20	30	250	150	480	250	540	585	550	550	700	600	165	885	745	125	320	850	210	530	600	620	15
DT35B- 21	30, 40	300	200	480	300	540	600	559	600	700	600	190	1045	885	165	400	1100	270	700	740	720	19
DT35B- 22	40	300	200	510	300	580	632	589	600	750	650	190	1045	885	165	400	1100	270	700	740	720	19



TOP VIEW



FOUNDATION (MOTOR AT RIGHT SIDE)

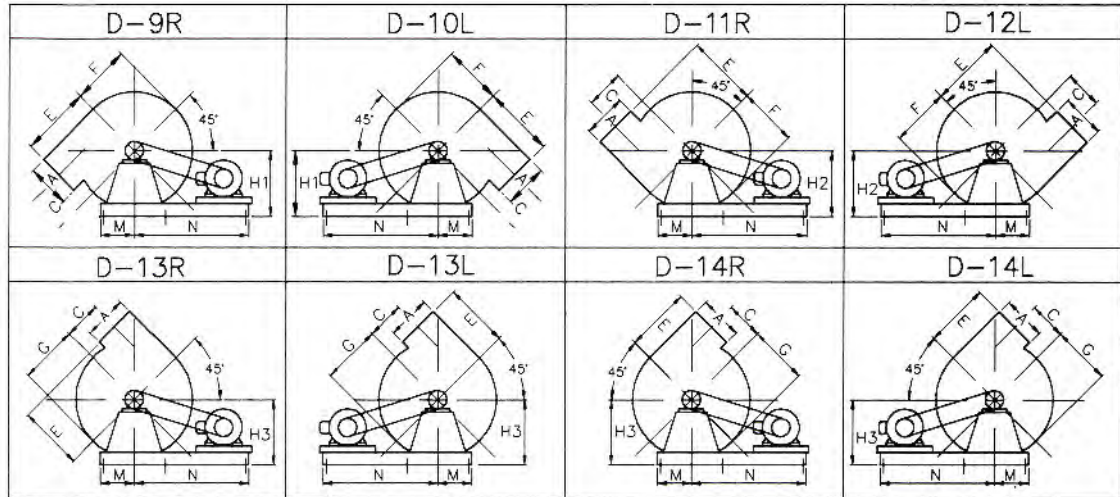


FOUNDATION (MOTOR AT LEFT SIDE)

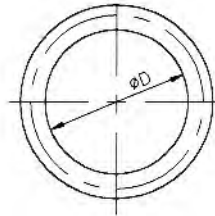
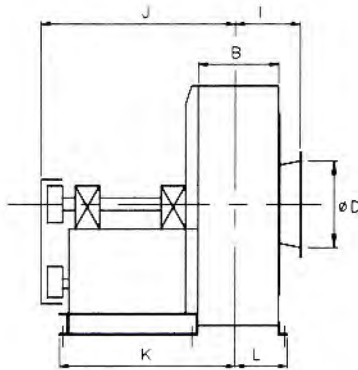
DT35C

		DT35C BD																		BELT-DRIVE			
MODEL	HP	A	B	C	øD	E	F	G	H1	H2	H3	I	J	K	L	M	N	Q	R	S	V	ød	
DT35C- 1	1	125	80	180	125	250	237	219	250	300	250	124	460	400	80	200	500	120	300	360	320	12	
DT35C- 2	1, 2	150	100	210	150	250	275	253	300	350	300	134	470	410	90	200	500	140	300	360	320	12	
DT35C- 3	2	150	100	210	150	250	275	253	300	350	300	134	470	410	90	200	500	140	300	360	320	12	
DT35C- 4	2	150	100	240	150	280	306	285	300	400	350	134	470	410	90	200	500	140	300	360	320	12	
DT35C- 5	3	150	100	240	150	300	307	286	300	400	350	135	630	550	90	250	650	140	400	460	460	12	
DT35C- 6	3, 5	200	120	270	200	320	354	325	350	450	400	145	640	560	100	250	650	160	400	460	460	12	
DT35C- 7	5	200	120	270	200	320	354	325	350	450	400	145	640	560	100	250	650	160	400	460	460	12	
DT35C- 8	5	200	120	300	200	350	384	355	400	450	400	145	640	560	100	250	650	160	400	460	460	12	
DT35C- 9	7.5	200	120	300	200	350	384	355	400	450	400	145	660	560	100	250	650	160	400	460	460	12	
DT35C- 10	7.5, 10	200	120	330	200	380	414	385	400	500	450	145	660	560	100	250	650	160	400	460	460	12	
DT35C- 11	10	200	120	330	200	380	414	385	400	500	450	145	660	560	100	250	650	160	400	460	460	12	
DT35C- 12	15	250	150	360	250	410	462	426	450	550	500	165	865	745	125	320	850	210	530	600	620	15	
DT35C- 13	15	250	150	360	250	410	462	426	450	550	500	165	865	745	125	320	850	210	530	600	620	15	
DT35C- 14	15, 20	250	150	390	250	440	492	456	500	600	500	165	865	745	125	320	850	210	530	600	620	15	
DT35C- 15	20	250	150	390	250	440	492	456	500	600	500	165	865	745	125	320	850	210	530	600	620	15	
DT35C- 16	25	250	150	420	250	470	522	486	500	600	550	165	865	745	125	320	850	210	530	600	620	15	
DT35C- 17	30	300	200	420	300	470	539	495	500	650	550	190	910	770	150	320	850	260	530	600	620	15	
DT35C- 18	40	300	200	450	300	500	572	529	550	700	600	190	1045	885	165	400	1100	270	700	740	720	19	
DT35C- 19	40	300	200	450	300	500	572	529	550	700	600	190	1045	885	165	400	1100	270	700	740	720	19	
DT35C- 20	50	300	200	480	300	540	600	559	600	700	600	190	1045	885	165	400	1100	270	700	740	720	19	
DT35C- 21	50	300	200	480	300	540	600	559	600	700	600	190	1045	885	165	400	1100	270	700	740	720	19	
DT35C- 22	60	350	220	510	350	580	649	598	600	750	650	200	1055	895	175	400	1100	290	700	740	720	19	

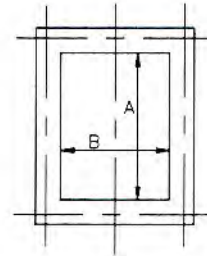
Castle Blower



RIGHT SIDE VIEW



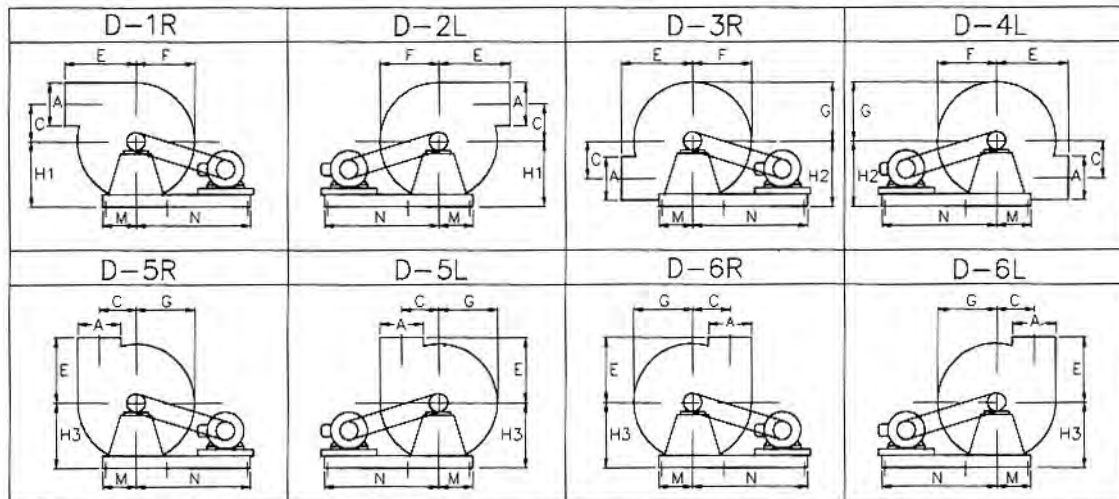
SUCTION (O.D.)



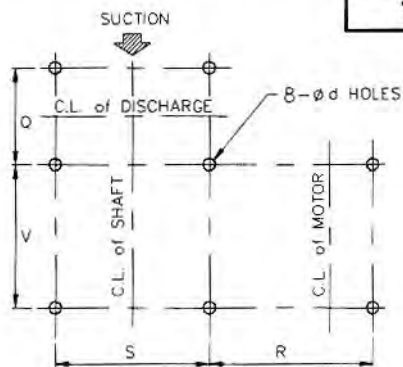
DISCHARGE (O.D.)

DT35D

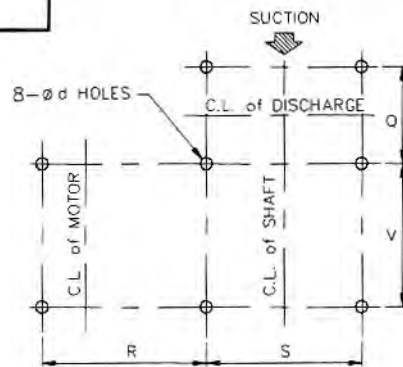
		DT35D [BD] BELT-DRIVE																				
MODEL	HP	A	B	C	øD	E	F	G	H1	H2	H3	I	J	K	L	M	N	Q	R	S	V	ød
DT35D- 1	2	150	100	180	150	250	245	223	250	300	250	134	470	410	90	200	500	140	300	360	320	12
DT35D- 2	2	200	120	210	200	250	292	262	300	350	300	144	480	420	100	200	500	160	300	360	320	12
DT35D- 3	3	200	120	210	200	300	293	263	300	350	300	145	640	560	100	250	650	160	400	460	460	12
DT35D- 4	3	200	120	240	200	300	323	293	300	400	350	145	640	560	100	250	650	160	400	460	460	12
DT35D- 5	5	200	120	240	200	300	323	293	300	400	350	145	640	560	100	250	650	160	400	460	460	12
DT35D- 6	5	250	150	270	250	320	371	334	350	450	400	160	655	575	115	250	650	190	400	460	460	12
DT35D- 7	7.5	250	150	270	250	320	371	334	350	450	400	160	675	575	115	250	650	190	400	460	460	12
DT35D- 8	7.5	250	150	300	250	350	401	364	400	500	450	160	675	575	115	250	650	190	400	460	460	12
DT35D- 9	10	250	150	300	250	350	401	364	400	500	450	160	675	575	115	250	650	190	400	460	460	12
DT35D-10	10	250	150	330	250	380	431	394	400	550	450	160	675	575	115	250	650	190	400	460	460	12
DT35D-11	15	250	150	330	250	380	433	396	400	550	450	165	865	745	125	320	850	210	530	600	620	15
DT35D-12	15	300	200	360	300	410	481	437	450	600	500	190	890	770	150	320	850	260	530	600	620	15
DT35D-13	20	300	200	360	300	410	481	437	450	600	500	190	890	770	150	320	850	260	530	600	620	15
DT35D-14	25	300	200	390	300	440	511	467	500	600	550	190	910	770	150	320	850	260	530	600	620	15
DT35D-15	25, 30	300	200	390	300	440	511	467	500	600	550	190	910	770	150	320	850	260	530	600	620	15
DT35D-16	30	350	220	420	350	470	558	506	550	650	600	200	920	780	160	320	850	280	530	600	620	15
DT35D-17	40	350	220	420	350	470	558	506	550	650	600	200	1055	895	175	400	1100	290	700	740	720	19
DT35D-18	40, 50	350	220	450	350	500	589	538	550	700	600	200	1055	895	175	400	1100	290	700	740	720	19
DT35D-19	50, 60	350	220	450	350	500	589	538	550	700	600	200	1055	895	175	400	1100	290	700	740	720	19
DT35D-20	60, 75	400	250	480	400	540	636	577	600	750	650	215	1250	1070	190	400	1100	320	700	740	880	19
DT35D-21	75	400	250	480	400	540	636	577	600	750	650	215	1250	1070	190	400	1100	320	700	740	880	19
DT35D-22	100	400	250	510	400	580	666	607	650	800	700	215	1250	1070	190	400	1200	320	800	740	880	19



TOP VIEW



FOUNDATION (MOTOR AT RIGHT SIDE)

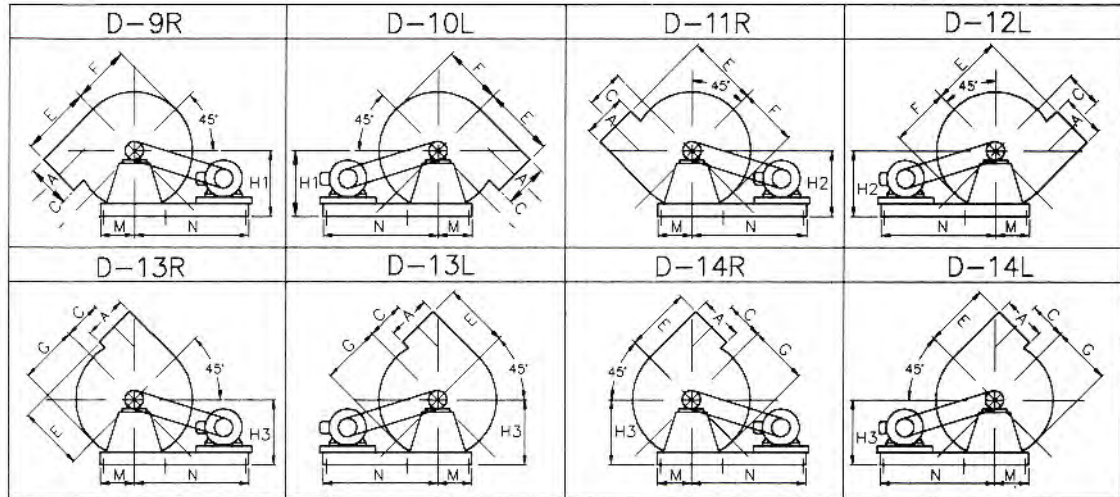


FOUNDATION (MOTOR AT LEFT SIDE)

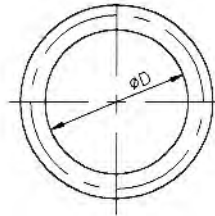
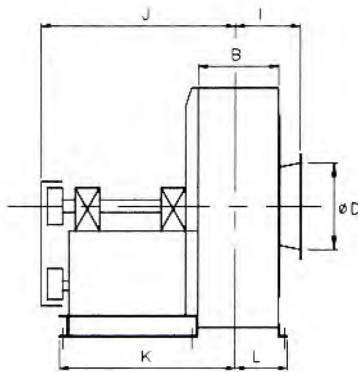
DT35E

		DT35E BD																		BELT-DRIVE			
MODEL	HP	A	B	C	øD	E	F	G	H1	H2	H3	I	J	K	L	M	N	Q	R	S	V	ød	
DT35E- 1	2	200	120	180	200	250	262	232	250	350	300	144	480	420	100	200	500	160	300	360	320	12	
DT35E- 2	2	200	120	210	200	250	292	262	300	350	300	144	480	420	100	200	500	160	300	360	320	12	
DT35E- 3	3	250	150	210	250	300	310	272	300	400	350	160	655	575	115	250	650	190	400	460	460	12	
DT35E- 4	5	250	150	240	250	300	341	304	350	450	350	160	655	575	115	250	650	190	400	460	460	12	
DT35E- 5	5	250	150	240	250	300	341	304	350	450	350	160	655	575	115	250	650	190	400	460	460	12	
DT35E- 6	7.5	250	150	270	250	320	371	334	350	450	400	160	675	575	115	250	650	190	400	460	460	12	
DT35E- 7	7.5	250	150	270	250	320	371	334	350	450	400	160	675	575	115	250	650	190	400	460	460	12	
DT35E- 8	10	300	200	300	300	350	418	373	400	500	450	185	700	600	140	250	650	240	400	460	460	12	
DT35E- 9	15	300	200	300	300	380	420	375	400	500	450	190	890	770	150	320	850	260	530	600	620	15	
DT35E- 10	15	300	200	330	300	380	450	405	450	550	450	190	890	770	150	320	850	260	530	600	620	15	
DT35E- 11	20	300	200	330	300	380	450	405	450	550	450	190	890	770	150	320	850	260	530	600	620	15	
DT35E- 12	25	350	220	360	350	410	498	446	450	600	500	200	920	780	160	320	850	280	530	600	620	15	
DT35E- 13	30	350	220	360	350	410	498	446	450	600	500	200	920	780	160	320	850	280	530	600	620	15	
DT35E- 14	40	350	220	390	350	440	528	474	500	650	550	200	1055	895	175	400	1100	290	700	740	720	19	
DT35E- 15	40, 50	400	250	390	400	440	545	485	500	650	550	215	1070	910	190	400	1100	320	700	740	720	19	
DT35E- 16	50, 60	400	250	420	400	470	576	517	550	700	600	215	1070	910	190	400	1100	320	700	740	720	19	
DT35E- 17	60, 75	400	250	420	400	470	576	517	550	700	600	215	1250	1070	190	400	1100	320	700	740	880	19	
DT35E- 18	75	450	300	450	450	500	623	556	600	750	650	240	1275	1095	215	400	1100	370	700	740	880	19	
DT35E- 19	100	450	300	450	450	500	623	556	600	750	650	240	1275	1095	215	400	1200	370	800	740	880	19	
DT35E- 20	100, 125	450	300	480	450	540	654	587	600	800	700	240	1405	1205	225	450	1300	390	850	840	980	24	
DT35E- 21	125	450	300	480	450	540	654	587	600	800	700	240	1405	1205	225	450	1300	390	850	840	980	24	
DT35E- 22	125, 150	450	300	510	450	580	685	619	650	800	700	240	1405	1205	225	450	1300	390	850	840	980	24	

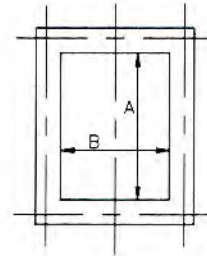
Castle Blower



RIGHT SIDE VIEW



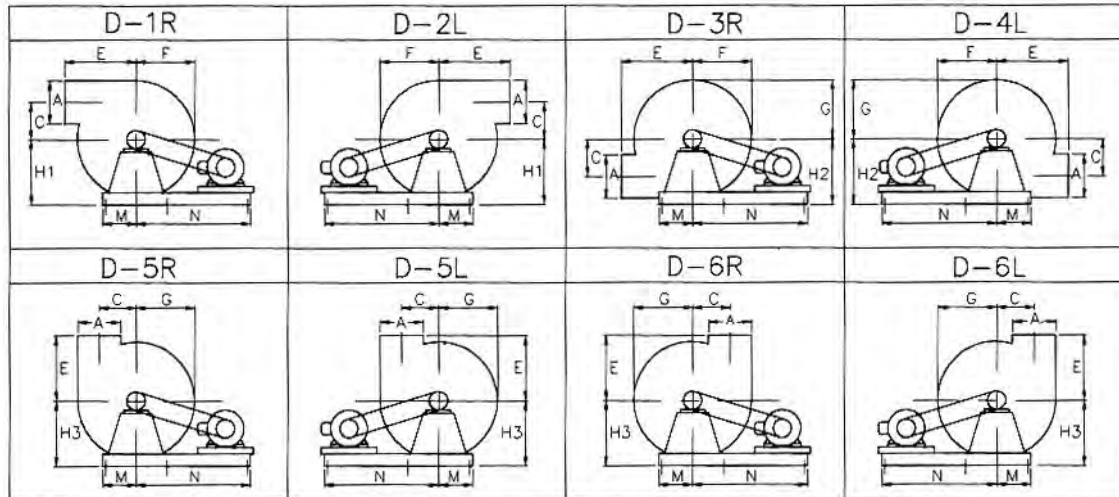
SUCTION (O.D.)



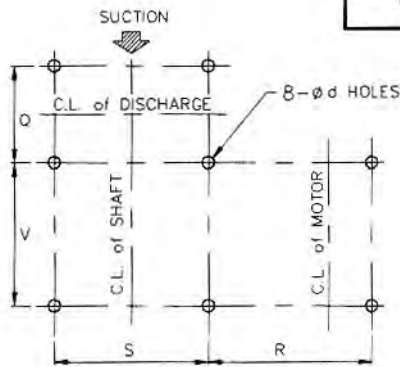
DISCHARGE (O.D.)

DT35F

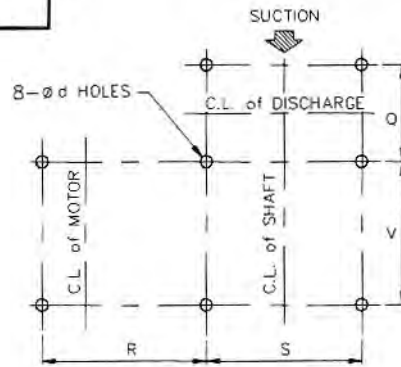
		DT35F											Belt-DRIVE									
		BD																				
MODEL	HP	A	B	C	øD	E	F	G	H1	H2	H3	I	J	K	L	M	N	Q	R	S	V	ød
DT35F- 1	2	250	150	180	250	250	278	239	250	350	300	159	495	435	115	200	500	190	300	360	320	12
DT35F- 2	3	250	150	210	250	300	310	272	300	400	350	160	655	575	115	250	650	190	400	460	460	12
DT35F- 3	5	300	200	210	300	300	326	279	300	450	350	185	680	600	140	250	650	240	400	460	460	12
DT35F- 4	5	300	200	240	300	300	357	311	350	450	400	185	680	600	140	250	650	240	400	460	460	12
DT35F- 5	7.5	300	200	240	300	300	357	311	350	450	400	185	700	600	140	250	650	240	400	460	460	12
DT35F- 6	7.5, 10	300	200	270	300	320	388	343	350	500	400	185	700	600	140	250	650	240	400	460	460	12
DT35F- 7	10, 15	350	220	270	350	380	408	356	400	500	450	200	900	780	160	320	850	280	530	600	620	15
DT35F- 8	15	350	220	300	350	380	436	382	400	550	450	200	900	780	160	320	850	280	530	600	620	15
DT35F- 9	15, 20	350	220	300	350	380	436	382	400	550	450	200	900	780	160	320	850	280	530	600	620	15
DT35F- 10	20, 25	400	250	330	400	380	483	421	450	600	500	215	935	795	175	320	850	310	530	600	620	15
DT35F- 11	25, 30	400	250	330	400	380	483	421	450	600	500	215	935	795	175	320	850	310	530	600	620	15
DT35F- 12	30, 40	400	250	360	400	440	514	453	500	650	550	215	1070	910	190	400	1100	320	700	740	720	19
DT35F- 13	40	400	250	360	400	440	514	453	500	650	550	215	1070	910	190	400	1100	320	700	740	720	19
DT35F- 14	50	450	300	390	450	440	561	492	500	700	600	240	1095	935	215	400	1100	370	700	740	720	19
DT35F- 15	60	450	300	390	450	440	561	492	500	700	600	240	1095	935	215	400	1100	370	700	740	720	19
DT35F- 16	75	450	300	420	450	470	592	524	550	700	600	240	1275	1095	215	400	1100	370	700	740	880	19
DT35F- 17	100	450	300	420	450	470	592	524	550	700	600	240	1275	1095	215	400	1200	370	800	740	880	19
DT35F- 18	100	500	350	450	500	500	639	563	600	800	650	265	1300	1120	240	400	1200	420	800	740	880	19
DT35F- 19	125	500	350	450	500	500	639	563	600	800	650	270	1430	1230	250	450	1300	440	850	840	980	24
DT35F- 20	125, 150	500	350	480	500	540	669	593	600	800	700	270	1450	1230	250	450	1300	440	850	840	980	24



TOP VIEW



FOUNDATION (MOTOR AT RIGHT SIDE)

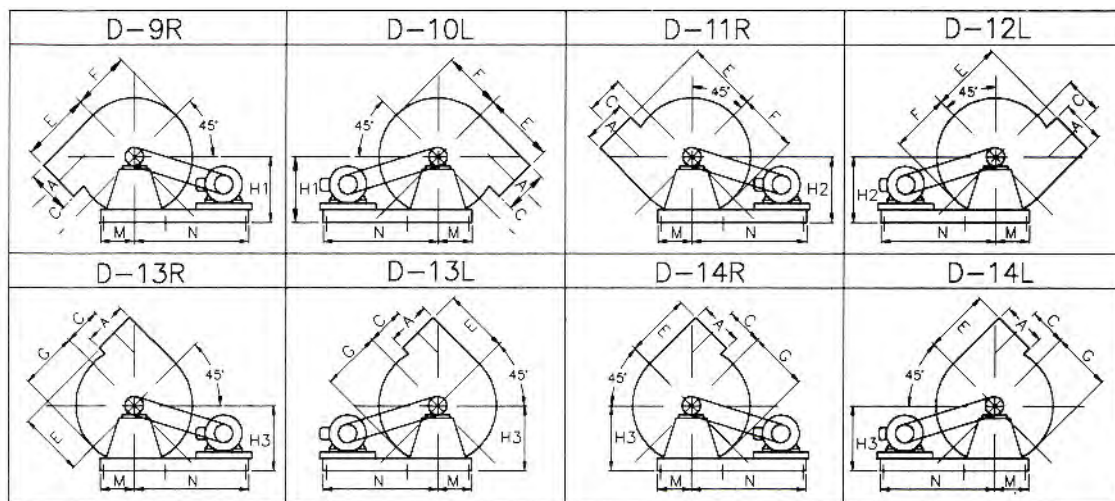


FOUNDATION (MOTOR AT LEFT SIDE)

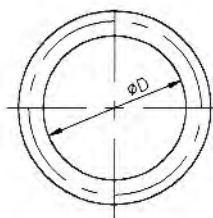
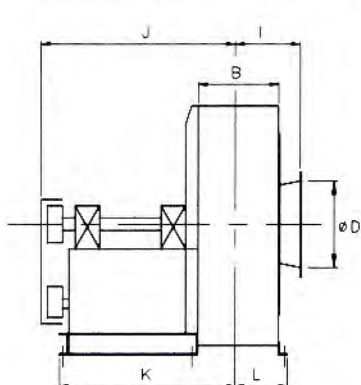
DT35G

		DT35G											BD	BELT-DRIVE										
MODEL	HP	A	B	C	øD	E	F	G	H1	H2	H3	I	J	K	L	M	N	Q	R	S	V	ød		
DT35G- 1	3	300	200	180	300	300	295	247	250	400	300	185	680	600	140	250	650	240	400	460	460	12		
DT35G- 2	5	300	200	210	300	300	326	279	300	450	350	185	680	600	140	250	650	240	400	460	460	12		
DT35G- 3	5	350	220	210	350	300	341	284	300	450	350	195	690	610	150	250	650	260	400	460	460	12		
DT35G- 4	7.5	350	220	240	350	300	373	318	350	500	400	195	710	610	150	250	650	260	400	460	460	12		
DT35G- 5	10	350	220	240	350	300	373	318	350	500	400	195	710	610	150	250	650	260	400	460	460	12		
DT35G- 6	10, 15	350	220	270	350	380	408	356	400	500	450	200	900	780	160	320	850	280	530	600	620	15		
DT35G- 7	15	350	220	270	350	380	408	356	400	500	450	200	900	780	160	320	850	280	530	600	620	15		
DT35G- 8	20	400	250	300	400	380	453	391	400	550	500	215	915	795	175	320	850	310	530	600	620	15		
DT35G- 9	20, 25	400	250	300	400	380	453	391	400	550	500	215	935	795	175	320	850	310	530	600	620	15		
DT35G-10	25, 30	400	250	330	400	380	483	421	450	600	500	215	935	795	175	320	850	310	530	600	620	15		
DT35G-11	40	450	300	330	450	440	500	430	450	650	500	240	1095	935	215	400	1100	370	700	740	720	19		
DT35G-12	40	450	300	360	450	440	531	462	500	650	550	240	1095	935	215	400	1100	370	700	740	720	19		
DT35G-13	50	450	300	360	450	440	531	462	500	650	550	240	1095	935	215	400	1100	370	700	740	720	19		
DT35G-14	65, 75	450	300	390	450	440	561	492	500	700	600	240	1275	1095	215	400	1100	370	700	740	720	19		
DT35G-15	75, 100	500	350	390	500	440	578	500	500	700	600	265	1300	1120	240	400	1200	420	800	740	720	19		
DT35G-16	100	500	350	420	500	470	609	533	550	750	650	265	1300	1120	240	400	1200	420	800	740	720	19		
DT35G-17	100, 125	500	350	420	500	500	609	533	550	750	650	270	1430	1230	250	450	1300	440	850	840	720	24		
DT35G-18	125, 150	600	400	450	600	500	672	579	600	850	700	295	1475	1255	275	450	1300	490	850	840	720	24		
DT35G-19	150	600	400	450	600	500	672	579	600	850	700	295	1475	1255	275	450	1300	490	850	840	720	24		

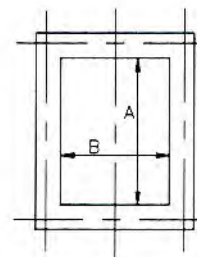
Castle Blower



RIGHT SIDE VIEW



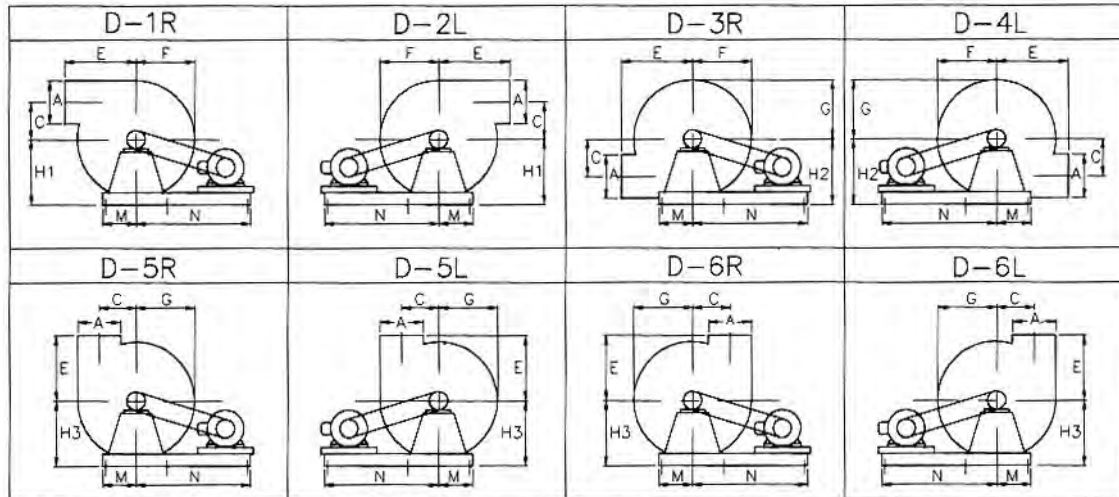
SUCTION (O.D.)



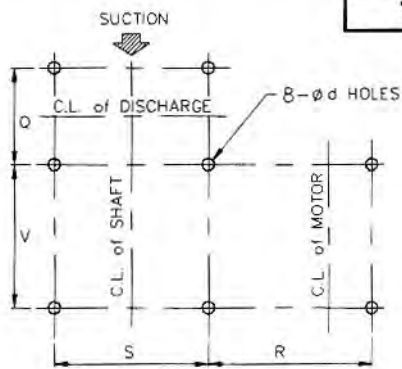
DISCHARGE (O.D.)

DT18E

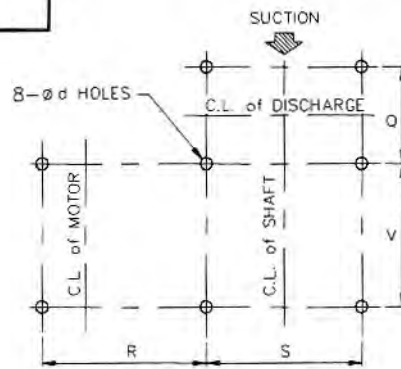
		DT18E [BD] BELT-DRIVE																				
MODEL	HP	A	B	C	øD	E	F	G	H1	H2	H3	I	J	K	L	M	N	Q	R	S	V	ød
DT18E- 5	1	250	150	240	250	280	340	303	350	450	350	159	495	435	115	200	500	190	300	360	320	12
DT18E- 7	2	250	150	270	250	320	370	333	350	500	400	159	495	435	115	200	500	190	300	360	320	12
DT18E- 9	2	250	150	300	250	350	400	363	400	500	450	159	495	435	115	200	500	190	300	360	320	12
DT18E- 11	3	300	200	330	300	380	448	403	450	550	450	185	680	600	140	250	650	240	400	460	460	12
DT18E- 13	3, 5	300	200	360	300	410	479	435	450	600	500	185	680	600	140	250	650	240	400	460	460	12
DT18E- 15	5	300	200	390	300	440	509	465	500	600	550	185	680	600	140	250	650	240	400	460	460	12
DT18E- 17	7.5	350	220	420	350	470	556	504	550	650	600	195	710	610	150	250	650	260	400	460	460	12
DT18E- 19	7.5, 10	350	220	450	350	500	587	536	550	700	600	195	710	610	150	250	650	260	400	460	460	12
DT18E- 21	10, 15	400	250	480	400	540	636	577	600	750	650	215	915	795	175	320	650	310	530	600	620	15
DT18E- 23	15	400	250	510	400	580	666	607	650	800	700	215	915	795	175	320	650	310	530	600	620	15
DT18E- 25	20	400	250	540	400	620	697	639	650	800	700	215	915	795	175	320	850	310	530	600	620	15
DT18E- 27	25	450	300	570	450	660	744	678	700	900	750	240	960	820	200	320	850	360	530	600	620	15
DT18E- 29	30	450	300	600	450	700	774	708	750	900	800	240	960	820	200	320	850	360	530	600	620	15



TOP VIEW



FOUNDATION (MOTOR AT RIGHT SIDE)

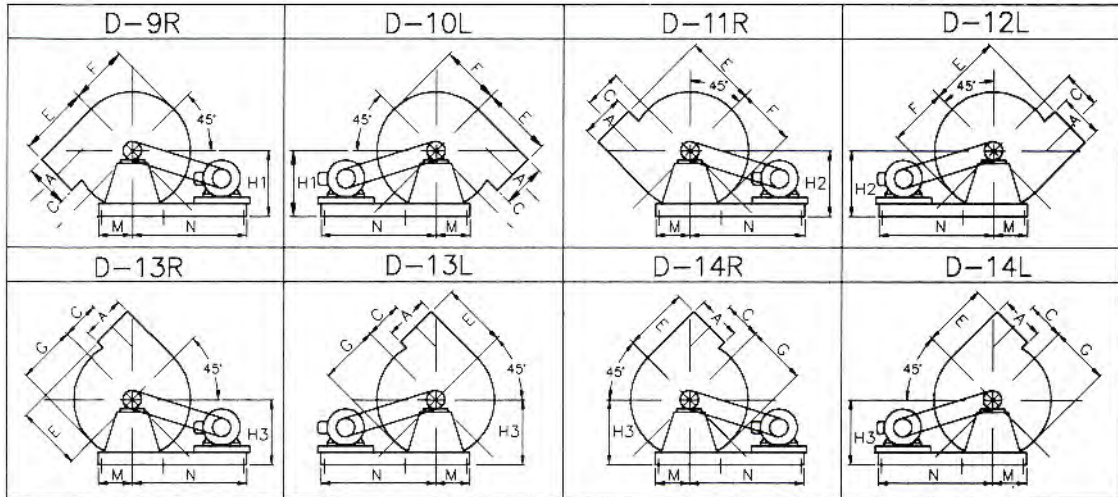


FOUNDATION (MOTOR AT LEFT SIDE)

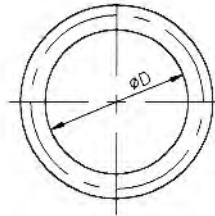
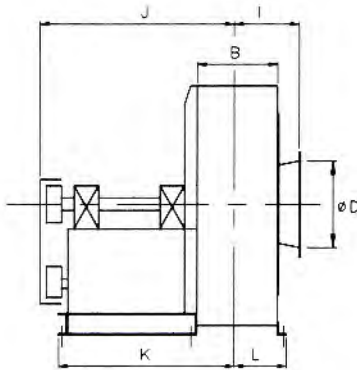
DT18F

		DT18F BD BELT-DRIVE																				
MODEL	HP	A	B	C	øD	E	F	G	H1	H2	H3	I	J	K	L	M	N	Q	R	S	V	ød
DT18F- 5	1	300	200	240	300	280	356	310	350	450	400	184	520	460	140	200	500	240	300	360	320	12
DT18F- 7	2	300	200	270	300	320	387	342	350	500	400	184	520	460	140	200	500	240	300	360	320	12
DT18F- 9	3	350	220	300	350	350	434	380	400	550	450	195	690	610	150	250	650	260	400	460	460	12
DT18F- 11	3, 5	350	220	330	350	380	465	412	450	600	500	195	690	610	150	250	650	260	400	460	460	12
DT18F- 13	5	400	250	360	400	410	512	451	500	650	550	210	705	625	165	250	650	290	400	460	460	12
DT18F- 15	7.5	400	250	390	400	440	543	483	500	650	550	210	725	625	165	250	650	290	400	460	460	12
DT18F- 17	10	400	250	420	400	470	574	515	550	700	600	210	725	625	165	250	650	290	400	460	460	12
DT18F- 19	15	450	300	450	450	500	623	556	600	750	650	240	940	820	200	320	850	360	530	600	620	15
DT18F- 21	20	450	300	480	450	540	653	586	600	800	700	240	940	820	200	320	850	360	530	600	620	15
DT18F- 23	20, 25	450	300	510	450	580	684	618	650	800	700	240	960	820	200	320	850	360	530	600	620	15
DT18F- 25	30	500	350	540	500	620	731	657	700	850	750	265	985	845	225	320	850	410	530	600	620	15
DT18F- 27	40	500	350	570	500	660	761	687	700	900	800	265	1120	960	240	400	1100	420	700	740	720	19
DT18F- 29	40, 50	500	350	600	500	700	791	717	750	950	800	265	1120	960	240	400	1100	420	700	740	720	19

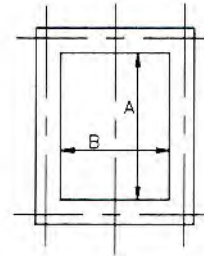
Castle Blower



RIGHT SIDE VIEW



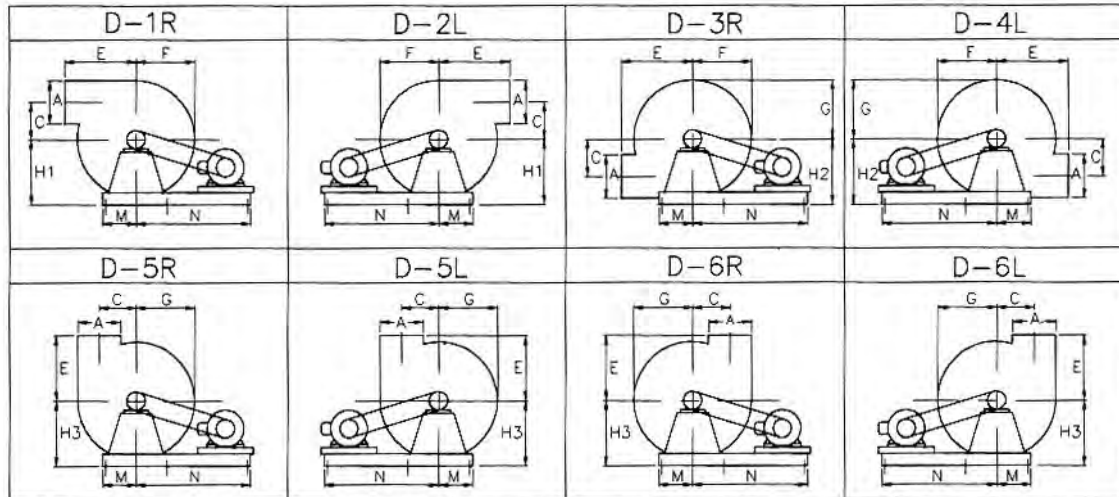
SUCTION (O.D.)



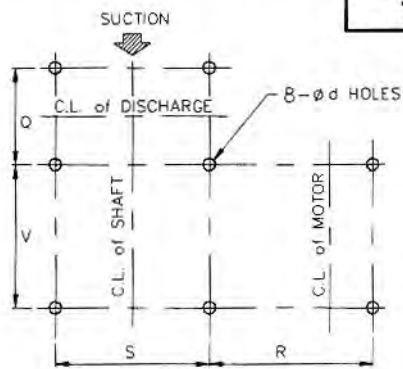
DISCHARGE (O.D.)

DT18G

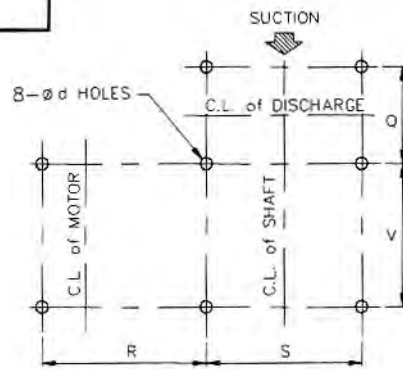
		DT18G											BD	BELT-DRIVE									
MODEL	HP	A	B	C	øD	E	F	G	H1	H2	H3	I	J	K	L	M	N	Q	R	S	V	ød	
DT18G- 5	2	350	220	240	350	280	372	317	350	500	400	194	530	470	150	200	500	260	300	360	320	12	
DT18G- 7	2	400	250	270	400	320	419	356	400	550	450	209	545	485	165	200	500	290	300	360	320	12	
DT18G- 9	3	400	250	300	400	350	450	389	400	550	500	210	705	625	165	250	650	290	400	460	460	12	
DT18G- 11	5	450	300	330	450	380	498	428	450	650	500	235	730	650	190	250	650	340	400	460	460	12	
DT18G- 13	7.5	450	300	360	450	410	529	460	500	650	550	235	750	650	190	250	650	340	400	460	460	12	
DT18G- 15	10	450	300	390	450	440	559	490	500	700	600	235	750	650	190	250	650	340	400	460	460	12	
DT18G- 17	15	500	350	420	500	470	609	533	550	750	650	265	965	845	225	320	850	410	530	600	620	15	
DT18G- 19	20	500	350	450	500	500	639	563	600	800	650	265	965	845	225	320	850	410	530	600	620	15	
DT18G- 21	25	500	350	480	500	540	669	593	600	800	700	265	985	845	225	320	850	410	530	600	620	15	
DT18G- 23	30, 40	600	400	510	600	580	733	641	650	900	750	290	1145	985	265	400	1100	470	700	740	720	19	
DT18G- 25	40, 50	600	400	540	600	620	764	673	700	900	800	290	1145	985	265	400	1100	470	700	740	720	19	
DT18G- 27	50, 60	700	450	570	700	660	828	721	750	1000	850	315	1170	1010	290	400	1100	520	700	740	720	19	
DT18G- 29	60, 75	700	450	600	700	700	860	755	800	1050	900	315	1360	1170	290	400	1100	520	700	740	880	19	



TOP VIEW



FOUNDATION (MOTOR AT RIGHT SIDE)

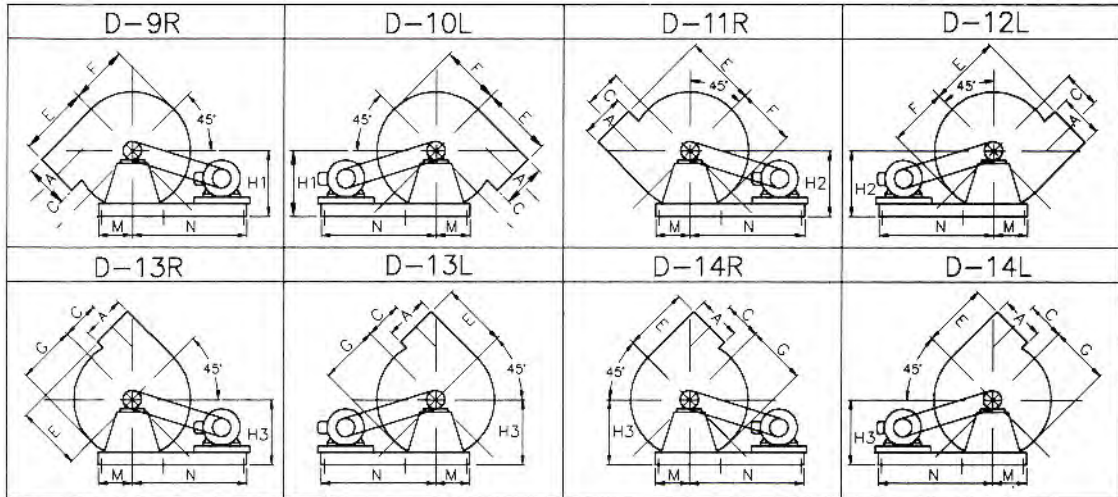


FOUNDATION (MOTOR AT LEFT SIDE)

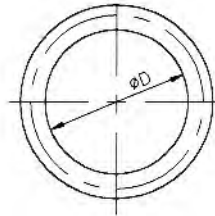
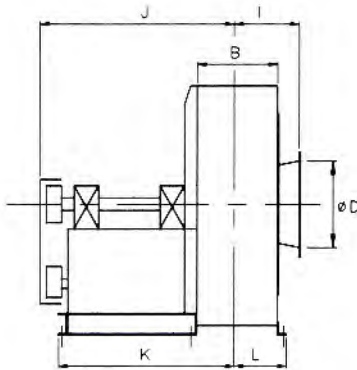
DT18H

		DT18H											BD	BELT-DRIVE										
MODEL	HP	A	B	C	øD	E	F	G	H1	H2	H3	I	J	K	L	M	N	Q	R	S	V	ød		
DT18H- 5	2	400	250	240	400	280	388	324	350	500	400	209	545	485	165	200	500	290	300	360	320	12		
DT18H- 7	3	450	300	270	450	320	436	363	400	550	450	235	730	650	190	250	650	340	400	460	460	12		
DT18H- 9	5	500	350	300	500	350	482	401	450	600	500	260	755	675	215	250	650	390	400	460	460	12		
DT18H- 11	7.5	500	350	330	500	380	514	435	450	650	550	260	775	675	215	250	650	390	400	460	460	12		
DT18H- 13	10	600	400	360	600	410	576	479	500	750	600	285	800	700	240	250	650	440	400	460	460	12		
DT18H- 15	15	600	400	390	600	440	610	515	550	750	650	290	990	870	250	320	850	460	530	600	620	15		
DT18H- 17	20	600	400	420	600	470	641	547	550	800	650	290	990	870	250	320	850	460	530	600	620	15		
DT18H- 19	25	700	450	450	700	500	704	593	600	900	750	315	1035	895	275	320	850	510	530	600	620	15		
DT18H- 21	30	700	450	480	700	540	766	637	650	950	800	315	1035	895	275	320	850	510	530	600	620	15		
DT18H- 23	40	800	500	510	800	580	798	669	700	1000	800	340	1195	1035	315	400	1100	570	700	740	720	19		
DT18H- 25	50, 60	800	500	540	800	620	828	700	700	1000	850	340	1195	1035	315	400	1100	570	700	740	720	19		
DT18H- 27	75	800	500	570	800	660	860	735	750	1050	900	340	1375	1195	315	400	1100	570	700	740	880	19		
DT18H- 29	100	900	550	600	900	700	930	795	800	1150	950	365	1400	1220	340	400	1200	620	800	740	880	19		

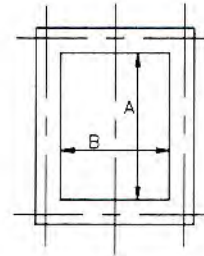
Castle Blower



RIGHT SIDE VIEW



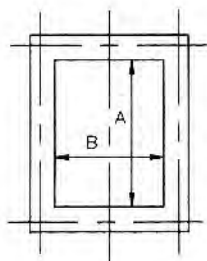
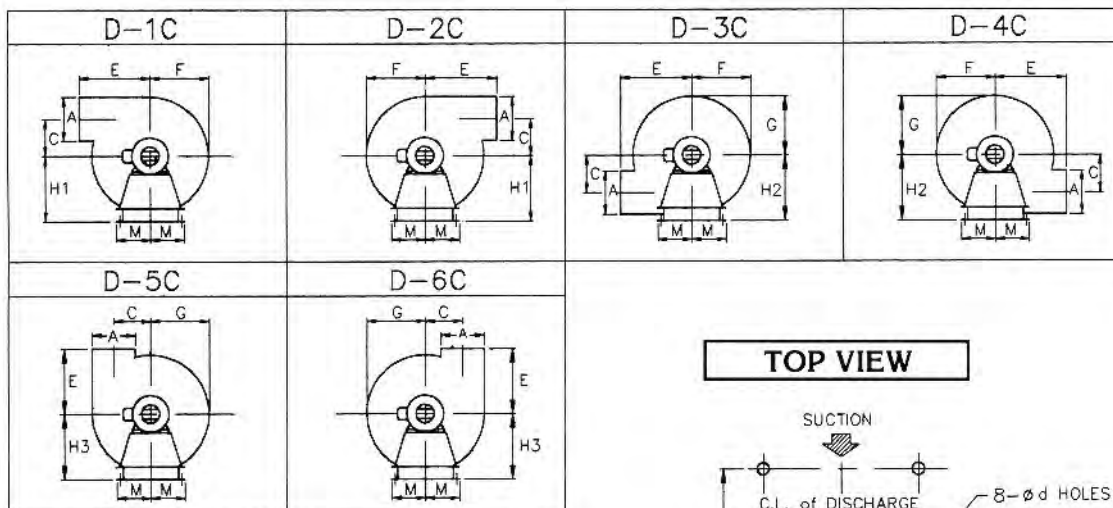
SUCTION (O.D.)



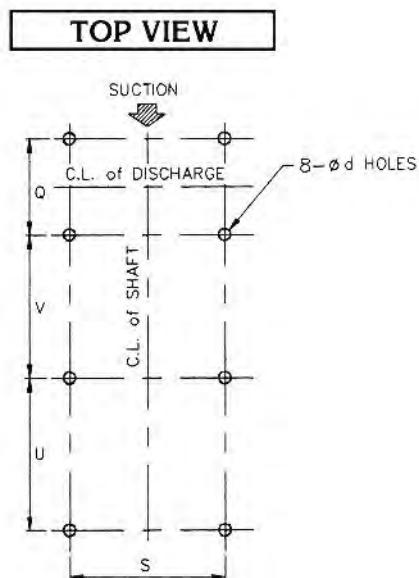
DISCHARGE (O.D.)

DT12J

		DT12J														BD	BELT-DRIVE									
MODEL	HP	A	B	C	øD	E	F	G	H1	H2	H3	I	J	K	L	M	N	Q	R	S	V	ød				
DT12J- 9	1	500	350	300	500	350	479	398	450	600	500	260	595	535	215	200	500	390	300	360	320	12				
DT12J- 11	2	500	350	330	500	380	511	432	450	650	550	260	595	535	215	200	500	390	300	360	320	12				
DT12J- 13	3	600	400	360	600	410	573	476	500	750	600	290	780	700	240	250	650	440	400	460	460	12				
DT12J- 15	3	600	400	390	600	440	605	510	550	750	650	290	780	700	240	250	650	440	400	460	460	12				
DT12J- 17	5	700	450	420	700	470	668	556	600	850	700	315	805	725	265	250	650	490	400	460	460	12				
DT12J- 19	7.5	700	450	450	700	500	699	588	600	900	750	315	825	725	265	250	650	490	400	460	460	12				
DT12J- 21	10	800	500	480	800	540	761	632	650	950	800	340	1020	920	300	320	850	560	530	600	620	15				
DT12J- 23	15	800	500	510	800	580	793	666	700	1000	800	340	1040	920	300	320	850	560	530	600	620	15				
DT12J- 25	20	900	550	540	900	620	855	710	750	1050	900	365	1065	945	325	320	850	610	530	600	620	15				
DT12J- 27	25	900	550	570	900	660	886	742	750	1100	900	365	1100	1060	340	400	1100	620	700	740	720	19				
DT12J- 29	30	1000	600	600	1000	700	960	810	850	1200	1000	390	1125	1085	365	400	1100	670	700	740	720	19				



DISCHARGE (O.D.)

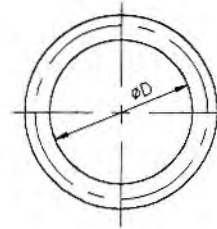
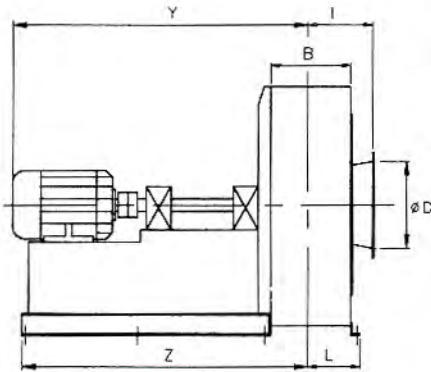
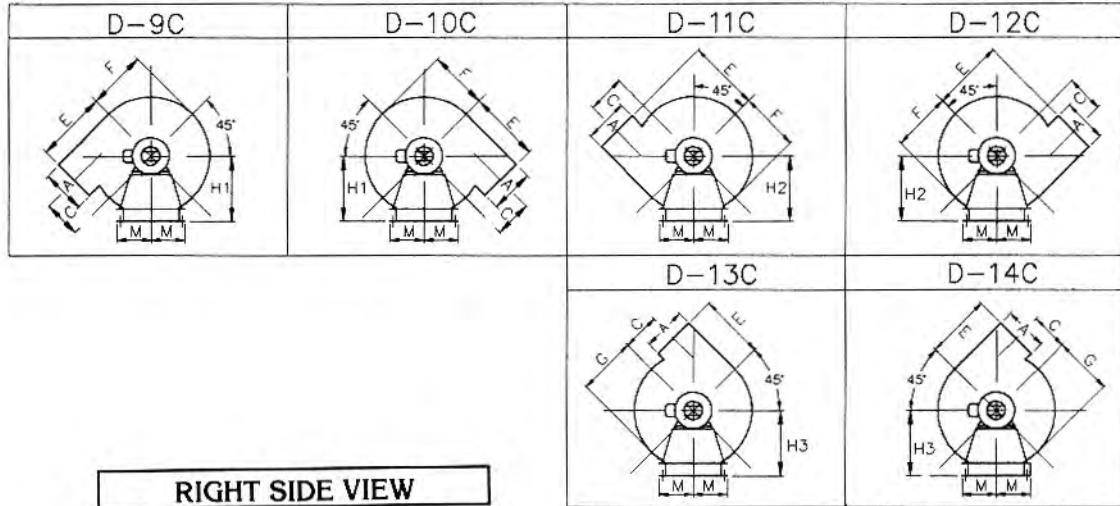


FOUNDATION

DT35A

DT35A		CD																			COUPLING DIRECT-DRIVE	
MODEL	HP	A	B	C	øD	E	F	G	H1	H2	H3	I	L	M	Q	S	U	V	Y	Z	ød	
DT35A- 1	1	100	80	180	100	250	228	214	250	300	250	124	80	200	120	360	320	320	685	720	12	
DT35A- 2	1	100	80	210	100	250	258	244	250	300	300	124	80	200	120	360	320	320	685	720	12	
DT35A- 3	1	100	80	210	100	250	258	244	250	300	300	124	80	200	120	360	320	320	685	720	12	
DT35A- 4	1	100	80	240	100	280	288	274	300	350	300	124	80	200	120	360	320	320	685	720	12	
DT35A- 5	2	100	80	240	100	280	288	274	300	350	300	124	80	200	120	360	320	320	740	720	12	
DT35A- 6	2	100	80	270	100	320	318	304	350	400	350	124	80	200	120	360	320	320	740	720	12	
DT35A- 7	2	100	80	270	100	320	318	304	350	400	350	124	80	200	120	360	320	320	740	720	12	
DT35A- 8	2	100	80	300	100	350	348	332	350	400	350	124	80	200	120	360	320	320	740	720	12	
DT35A- 9	3	125	80	300	125	350	358	339	350	450	400	125	80	200	120	360	320	320	740	720	12	
DT35A-10	3	125	80	330	125	380	388	370	400	450	400	125	80	200	120	360	320	320	740	720	12	
DT35A-11	5	125	80	330	125	380	388	370	400	450	400	125	80	250	120	460	380	460	955	920	12	
DT35A-12	5	125	80	360	125	410	419	402	450	500	450	125	80	250	120	460	380	460	955	920	12	
DT35A-13	5.7, 5	150	100	360	150	410	427	406	450	500	450	135	90	250	140	460	460	460	1030	1010	12	
DT35A-14	7.5	150	100	390	150	440	457	436	450	550	500	135	90	250	140	460	460	460	1030	1010	12	
DT35A-15	7.5, 10	150	100	390	150	440	457	436	450	550	500	135	90	250	140	460	460	460	1030	1010	12	
DT35A-16	10	150	100	420	150	470	487	466	500	550	500	135	90	250	140	460	460	460	1030	1010	12	
DT35A-17	10, 15	200	120	420	200	470	507	479	500	600	550	150	110	320	180	600	620	620	1380	1350	15	
DT35A-18	15	200	120	450	200	500	537	509	550	650	550	150	110	320	180	600	620	620	1380	1350	15	
DT35A-19	15, 20	200	120	450	200	500	537	509	550	650	550	150	110	320	180	600	620	620	1380	1350	15	
DT35A-20	20	200	120	480	200	540	567	539	550	650	600	150	110	320	180	600	620	620	1380	1350	15	
DT35A-21	20, 25	200	120	480	200	540	567	539	550	650	600	150	110	320	180	600	620	620	1440	1350	15	
DT35A-22	25	200	120	510	200	580	597	569	600	700	600	150	110	320	180	600	600	620	1440	1350	15	

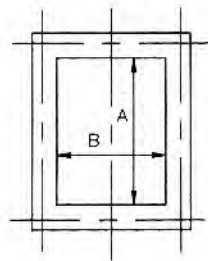
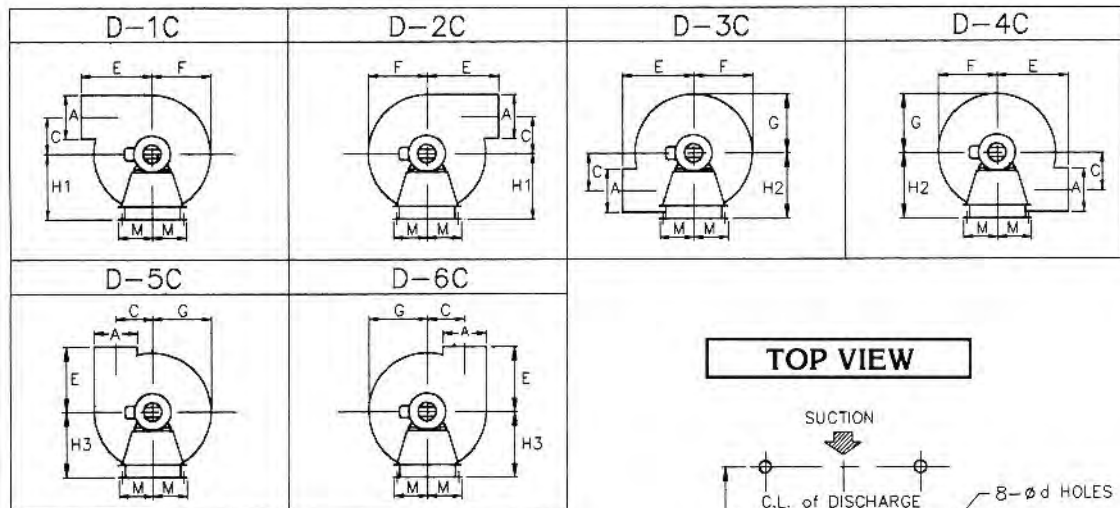
Castle Blower



SUCTION (O.D.)

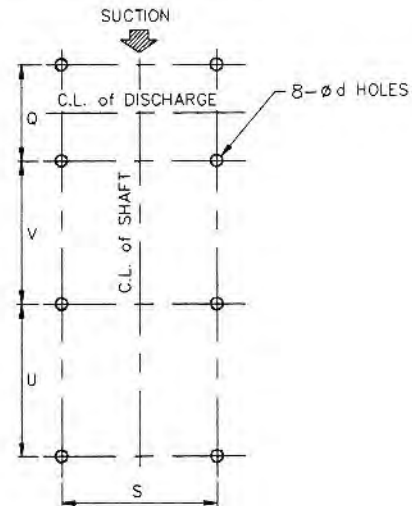
DT35B

DT35B [CD] COUPLING DIRECT-DRIVE																					
MODEL	HP	A	B	C	ϕD	E	F	G	H1	H2	H3	I	L	M	Q	S	U	V	Y	Z	ϕd
DT35B- 1	1	100	80	180	100	250	228	214	250	300	250	124	80	200	120	360	320	320	685	720	12
DT35B- 2	1	125	80	210	125	250	267	249	250	350	300	124	80	200	120	360	320	320	685	720	12
DT35B- 3	1	125	80	210	125	250	267	249	250	350	300	124	80	200	120	360	320	320	685	720	12
DT35B- 4	2	125	80	240	125	280	297	279	300	350	300	124	80	200	120	360	320	320	740	720	12
DT35B- 5	2	125	80	240	125	280	297	279	300	350	300	124	80	200	120	360	320	320	740	720	12
DT35B- 6	3	125	80	270	125	320	328	300	350	400	350	125	80	200	120	360	320	320	740	720	12
DT35B- 7	3	150	100	270	150	320	337	316	350	400	350	135	90	200	140	360	320	320	750	730	12
DT35B- 8	3	150	100	300	150	350	367	346	350	450	400	135	90	200	140	360	320	320	750	730	12
DT35B- 9	5	150	100	300	150	350	367	346	350	450	400	135	90	250	140	460	380	460	965	930	12
DT35B-10	5	150	100	330	150	380	397	376	400	500	400	135	90	250	140	460	380	460	965	930	12
DT35B-11	7.5	150	100	330	150	380	397	376	400	500	400	135	90	250	140	460	460	460	1030	1010	12
DT35B-12	7.5	200	120	360	200	410	445	417	450	550	450	145	100	250	160	460	460	460	1040	1020	12
DT35B-13	7.5,10	200	120	360	200	410	445	417	450	550	450	145	100	250	160	460	460	460	1040	1020	12
DT35B-14	10	200	120	390	200	440	467	449	450	550	500	145	100	250	160	460	460	460	1040	1020	12
DT35B-15	10, 15	200	120	390	200	440	467	449	450	550	500	145	110	320	180	600	620	620	1380	1350	15
DT35B-16	15	250	150	420	250	470	524	488	500	600	550	165	125	320	210	600	620	620	1395	1365	15
DT35B-17	15, 20	250	150	420	250	470	524	488	500	600	550	165	125	320	210	600	620	620	1395	1365	15
DT35B-18	20	250	150	450	250	500	555	520	550	650	600	165	125	320	210	600	620	620	1395	1365	15
DT35B-19	25	250	150	450	250	500	555	520	550	650	600	165	125	320	210	600	620	620	1455	1365	15
DT35B-20	30	250	150	480	250	540	585	550	550	700	600	165	125	320	210	600	620	620	1455	1365	15
DT35B-21	30, 40	300	200	480	300	540	600	559	600	700	600	190	165	400	270	740	675	720	1640	1560	19
DT35B-22	40	300	200	510	300	580	632	589	600	750	650	190	165	400	270	740	675	720	1640	1560	19



DISCHARGE (O.D.)

TOP VIEW

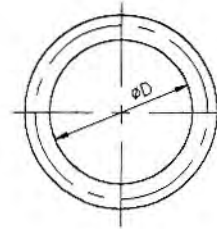
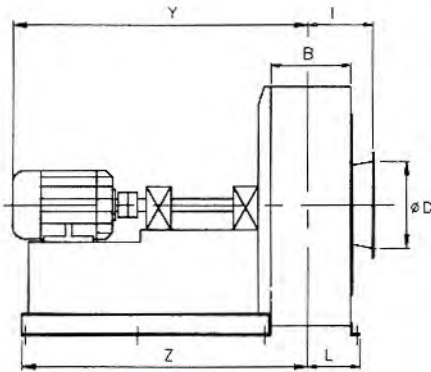
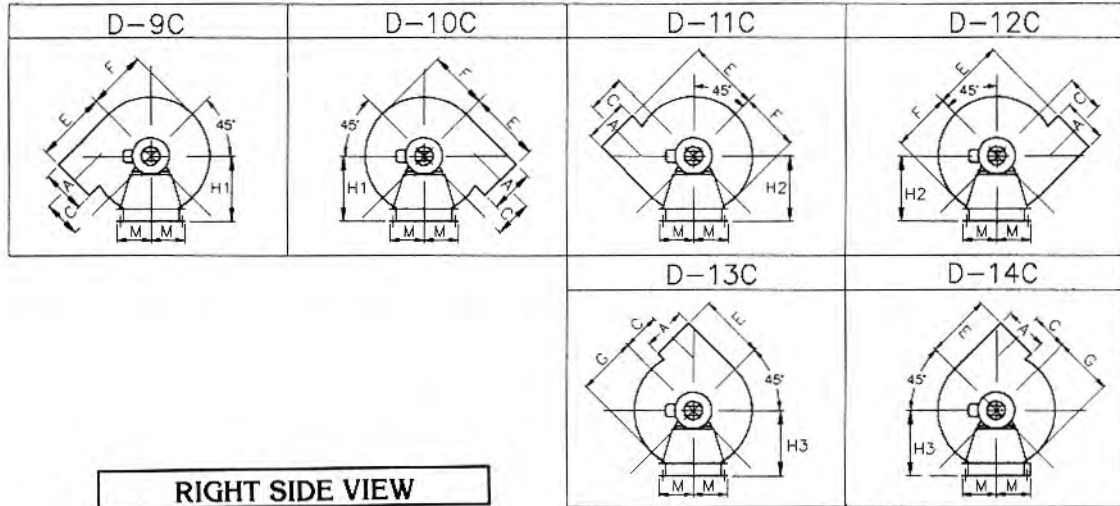


FOUNDATION

DT35C

		DT35C																	CD		COUPLING DIRECT-DRIVE									
MODEL	HP	A	B	C	øD	E	F	G	H1	H2	H3	I	L	M	Q	S	U	V	Y	Z	ød									
DT35C- 1	1	125	80	180	125	250	237	219	250	300	250	124	80	200	120	360	320	320	685	720	12									
DT35C- 2	1, 2	150	100	210	150	250	275	253	300	350	300	134	90	200	140	360	320	320	750	730	12									
DT35C- 3	2	150	100	210	150	250	275	253	300	350	300	134	90	200	140	360	320	320	750	730	12									
DT35C- 4	2	150	100	240	150	280	306	285	300	400	350	134	90	200	140	360	320	320	750	730	12									
DT35C- 5	3	150	100	240	150	300	307	286	300	400	350	134	90	200	140	360	320	320	750	730	12									
DT35C- 6	3, 5	200	120	270	200	320	354	325	350	450	400	145	100	250	160	460	380	460	975	940	12									
DT35C- 7	5	200	120	270	200	320	354	325	350	450	400	145	100	250	160	460	380	460	975	940	12									
DT35C- 8	5	200	120	300	200	350	384	355	400	450	400	145	100	250	160	460	380	460	975	940	12									
DT35C- 9	7.5	200	120	300	200	350	384	355	400	450	400	145	100	250	160	460	460	460	1040	1000	12									
DT35C- 10	7.5, 10	200	120	330	200	380	414	385	400	500	450	145	100	250	160	460	460	460	1040	1000	12									
DT35C- 11	10	200	120	330	200	380	414	385	400	500	450	145	100	250	160	460	460	460	1040	1000	12									
DT35C- 12	15	250	150	360	250	410	462	426	450	550	500	165	125	320	210	600	620	620	1395	1365	15									
DT35C- 13	15	250	150	360	250	410	462	426	450	550	500	165	125	320	210	600	620	620	1395	1365	15									
DT35C- 14	15, 20	250	150	390	250	440	492	456	500	600	500	165	125	320	210	600	620	620	1395	1365	15									
DT35C- 15	20	250	150	390	250	440	492	456	500	600	500	165	125	320	210	600	620	620	1395	1365	15									
DT35C- 16	25	250	150	420	250	470	522	486	500	600	550	165	125	320	210	600	620	620	1455	1365	15									
DT35C- 17	30	300	200	420	300	470	539	495	500	650	550	190	150	320	260	600	620	620	1480	1390	15									
DT35C- 18	40	300	200	450	300	500	572	529	550	700	600	190	165	400	270	740	675	720	1640	1560	19									
DT35C- 19	40	300	200	450	300	500	572	529	550	700	600	190	165	400	270	740	675	720	1640	1560	19									
DT35C- 20	50	300	200	480	300	540	600	559	600	700	600	190	165	400	270	740	720	720	1700	1605	19									
DT35C- 21	50	300	200	480	300	540	600	559	600	700	600	190	165	400	270	740	720	720	1700	1605	19									
DT35C- 22	60	350	220	510	350	580	649	598	600	750	650	200	175	400	290	740	720	720	1710	1615	19									

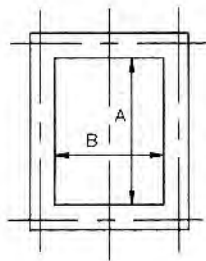
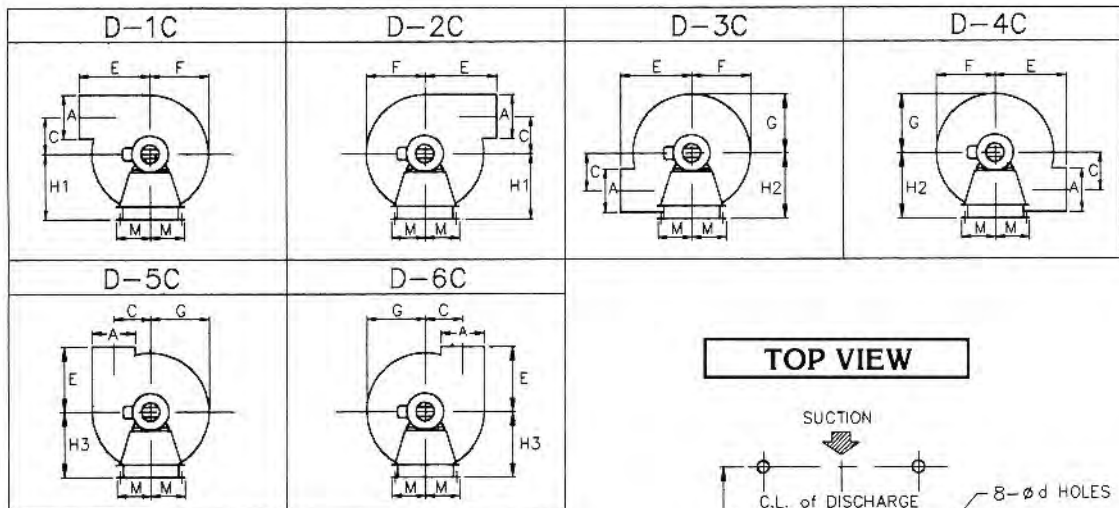
Castle Blower



SUCTION (O.D.)

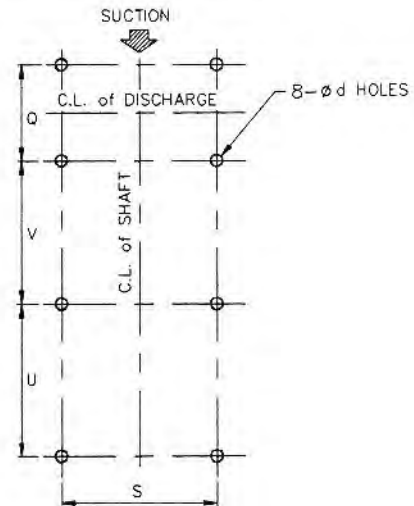
DT35D

		DT35D CD COUPLING DIRECT-DRIVE																			
MODEL	HP	A	B	C	øD	E	F	G	H1	H2	H3	I	L	M	Q	S	U	V	Y	Z	ød
DT35D- 1	2	150	100	180	150	250	245	223	250	300	250	134	90	200	140	360	320	320	695	730	12
DT35D- 2	2	200	120	210	200	250	292	262	300	350	300	144	100	200	160	360	320	320	760	740	12
DT35D- 3	3	200	120	210	200	300	293	263	300	350	300	145	100	200	160	360	320	320	760	740	12
DT35D- 4	3	200	120	240	200	300	323	293	300	400	350	145	100	200	160	360	320	320	760	740	12
DT35D- 5	5	200	120	240	200	300	323	293	300	400	350	145	100	250	160	460	380	460	975	940	12
DT35D- 6	5	250	150	270	250	320	371	334	350	450	400	160	115	250	190	460	380	460	990	955	12
DT35D- 7	7.5	250	150	270	250	320	371	334	350	450	400	160	115	250	190	460	460	460	1055	1035	12
DT35D- 8	7.5	250	150	300	250	350	401	364	400	500	450	160	115	250	190	460	460	460	1055	1035	12
DT35D- 9	10	250	150	300	250	350	401	364	400	500	450	160	115	250	190	460	460	460	1055	1035	12
DT35D- 10	10	250	150	330	250	380	431	394	400	550	450	160	115	250	190	460	460	460	1055	1035	12
DT35D- 11	15	250	150	330	250	380	433	396	400	550	450	165	125	320	210	600	620	620	1395	1365	15
DT35D- 12	15	300	200	360	300	410	481	437	450	600	500	190	150	320	260	600	620	620	1420	1390	15
DT35D- 13	20	300	200	360	300	410	481	437	450	600	500	190	150	320	260	600	620	620	1420	1390	15
DT35D- 14	25	300	200	390	300	440	511	467	500	600	550	190	150	320	260	600	620	620	1480	1390	15
DT35D- 15	25, 30	300	200	390	300	440	511	467	500	600	550	190	150	320	260	600	620	620	1480	1390	15
DT35D- 16	30	350	220	420	350	470	558	506	550	650	600	200	160	320	280	600	620	620	1490	1400	15
DT35D- 17	40	350	220	420	350	470	558	506	550	650	600	200	175	400	290	740	675	720	1650	1570	19
DT35D- 18	40, 50	350	220	450	350	500	589	538	550	700	600	200	175	400	290	740	720	720	1700	1615	19
DT35D- 19	50, 60	350	220	450	350	500	589	538	550	700	600	200	175	400	290	740	720	720	1700	1615	19
DT35D- 20	60, 75	400	250	480	400	540	636	577	600	750	650	215	190	400	320	740	755	720	1765	1665	19
DT35D- 21	75	400	250	480	400	540	636	577	600	750	650	215	190	400	320	740	755	720	1765	1665	19
DT35D- 22	100	400	250	510	400	580	666	607	650	800	700	215	190	400	320	740	815	720	1845	1725	19



DISCHARGE (O.D.)

TOP VIEW

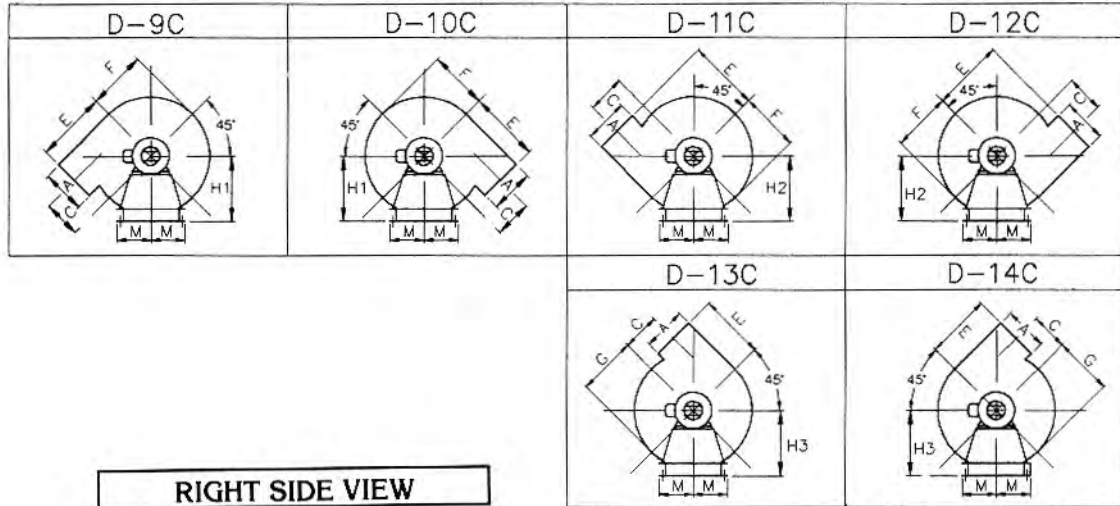


FOUNDATION

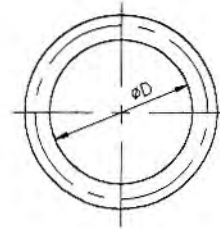
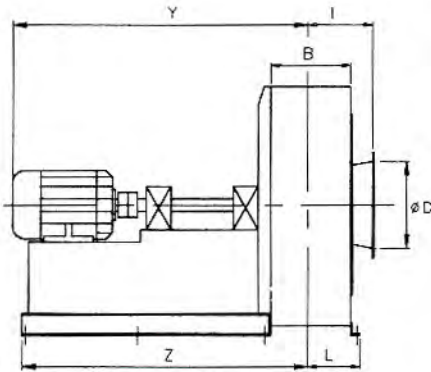
DT35E

		DT35E																		CD	COUPLING DIRECT-DRIVE									
MODEL	HP	A	B	C	øD	E	F	G	H1	H2	H3	I	L	M	Q	S	U	V	Y	Z	ød									
DT35E- 1	2	200	120	180	200	250	262	232	250	350	300	144	100	200	160	360	320	320	760	740	12									
DT35E- 2	2	200	120	210	200	250	292	262	300	350	300	144	100	200	160	360	320	320	760	740	12									
DT35E- 3	3	250	150	210	250	300	310	272	300	400	350	160	115	200	190	360	320	320	775	755	12									
DT35E- 4	5	250	150	240	250	300	341	304	350	450	350	160	115	250	190	460	380	460	990	955	12									
DT35E- 5	5	250	150	240	250	300	341	304	350	450	350	160	115	250	190	460	380	460	990	955	12									
DT35E- 6	7.5	250	150	270	250	320	371	334	350	450	400	160	115	250	190	460	460	460	1055	1035	12									
DT35E- 7	7.5	250	150	270	250	320	371	334	350	450	400	160	115	250	190	460	460	460	1055	1035	12									
DT35E- 8	10	300	200	300	300	350	418	373	400	500	450	185	140	250	240	460	460	460	1080	1060	12									
DT35E- 9	15	300	200	300	300	380	420	375	400	500	450	190	150	320	260	600	620	620	1420	1390	15									
DT35E- 10	15	300	200	330	300	380	450	405	450	550	450	190	150	320	260	600	620	620	1420	1390	15									
DT35E- 11	20	300	200	330	300	380	450	405	450	550	450	190	150	320	260	600	620	620	1420	1390	15									
DT35E- 12	25	350	220	360	350	410	498	446	450	600	500	200	160	320	280	600	620	620	1490	1400	15									
DT35E- 13	30	350	220	360	350	410	498	446	450	600	500	200	160	320	280	600	620	620	1490	1400	15									
DT35E- 14	40	350	220	390	350	440	528	474	500	650	550	200	175	400	290	740	675	720	1650	1570	19									
DT35E- 15	40, 50	400	250	390	400	440	545	485	500	650	550	215	190	400	320	740	720	720	1725	1630	19									
DT35E- 16	50, 60	400	250	420	400	470	576	517	550	700	600	215	190	400	320	740	720	720	1725	1630	19									
DT35E- 17	60, 75	400	250	420	400	470	576	517	550	700	600	215	190	400	320	740	755	720	1765	1665	19									
DT35E- 18	75	450	300	450	450	500	623	556	600	750	650	240	215	400	370	740	755	720	1790	1690	19									
DT35E- 19	100	450	300	450	450	500	623	556	600	750	650	240	215	400	370	740	815	720	1870	1750	19									
DT35E- 20	100, 125	450	300	480	450	540	654	587	600	800	700	240	225	450	390	840	885	720	1990	1830	24									
DT35E- 21	125	450	300	480	450	540	654	587	600	800	700	240	225	450	390	840	885	720	1990	1830	24									
DT35E- 22	125, 150	450	300	510	450	580	685	619	650	800	700	240	225	450	390	840	885	720	2040	1830	24									

Castle Blower



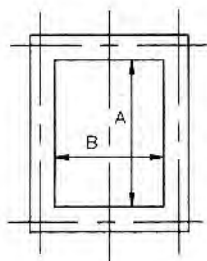
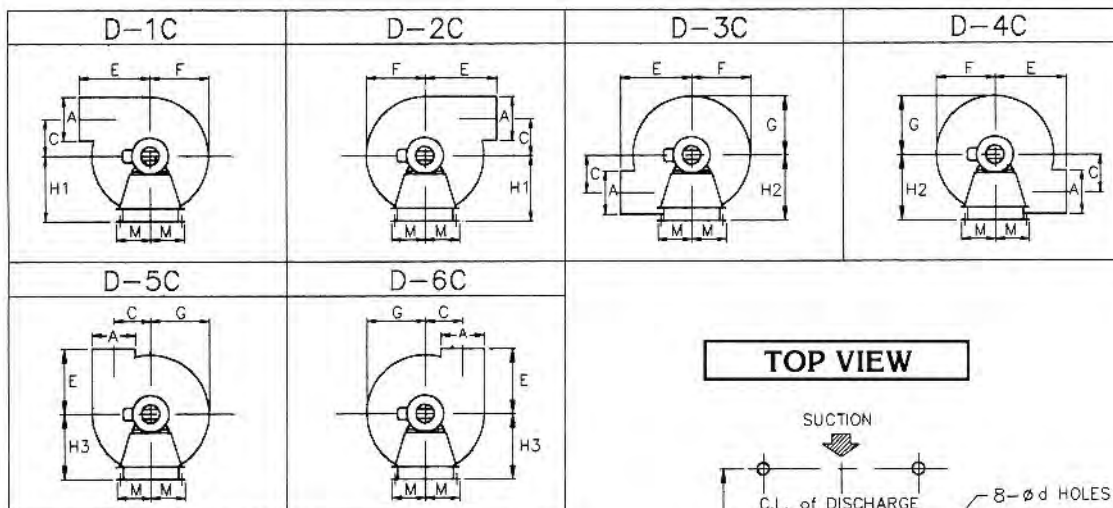
RIGHT SIDE VIEW



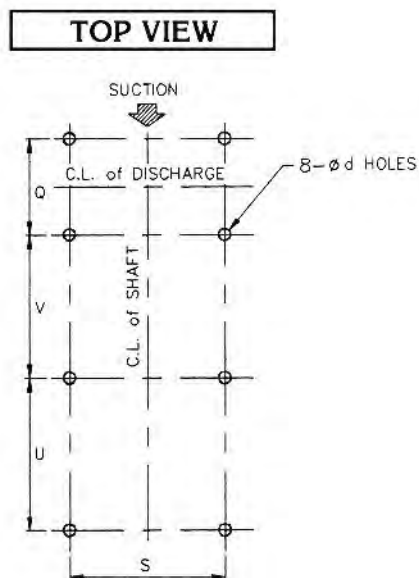
SUCTION (O.D.)

DT35F

		DT35F											COUPLING DIRECT-DRIVE									
		CD																				
MODEL	HP	A	B	C	ϕD	E	F	G	H1	H2	H3	I	L	M	Q	S	U	V	Y	Z	ϕd	
DT35F- 1	2	250	150	180	250	250	278	239	250	350	300	159	115	200	190	360	320	320	775	755	12	
DT35F- 2	3	250	150	210	250	300	310	272	300	400	350	159	115	200	190	360	320	320	775	755	12	
DT35F- 3	5	300	200	210	300	300	326	279	300	450	350	185	140	250	240	460	380	460	1015	980	12	
DT35F- 4	5	300	200	240	300	300	357	311	350	450	400	185	140	250	240	460	380	460	1015	980	12	
DT35F- 5	7.5	300	200	240	300	300	357	311	350	450	400	185	140	250	240	460	460	460	1090	1060	12	
DT35F- 6	7.5, 10	300	200	270	300	320	388	343	350	500	400	185	140	250	240	460	460	460	1090	1060	12	
DT35F- 7	10, 15	350	220	270	350	380	408	356	400	500	450	200	160	320	280	600	620	620	1430	1400	15	
DT35F- 8	15	350	220	300	350	380	436	382	400	550	450	200	160	320	280	600	620	620	1430	1400	15	
DT35F- 9	15, 20	350	220	300	350	380	436	382	400	550	450	200	160	320	280	600	620	620	1430	1400	15	
DT35F- 10	20, 25	400	250	330	400	380	483	421	450	600	500	215	175	320	310	600	620	620	1505	1415	15	
DT35F- 11	25, 30	400	250	330	400	380	483	421	450	600	500	215	175	320	310	600	620	620	1505	1415	15	
DT35F- 12	30, 40	400	250	360	400	440	514	453	500	650	550	215	190	400	320	740	675	720	1665	1585	19	
DT35F- 13	40	400	250	360	400	440	514	453	500	650	550	215	190	400	320	740	675	720	1665	1585	19	
DT35F- 14	50	450	300	390	450	440	561	492	500	700	600	240	215	400	370	740	720	720	1750	1655	19	
DT35F- 15	60	450	300	390	450	440	561	492	500	700	600	240	215	400	370	740	720	720	1750	1655	19	
DT35F- 16	75	450	300	420	450	470	592	524	550	700	600	240	215	400	370	740	755	720	1790	1690	19	
DT35F- 17	100	450	300	420	450	470	592	524	550	700	600	240	215	400	370	740	815	720	1870	1750	19	
DT35F- 18	100	500	350	450	500	500	639	563	600	800	650	265	240	400	420	740	815	720	1995	1775	19	
DT35F- 19	125	500	350	450	500	500	639	563	600	800	650	270	250	450	440	840	885	720	2015	1855	24	
DT35F- 20	125, 150	500	350	480	500	540	669	593	600	800	700	270	250	450	440	840	885	720	2065	1855	24	
DT35F- 21	150, 175	600	400	480	600	540	700	609	650	850	700	295	275	450	490	840	935	720	2120	1930	24	
DT35F- 22	175	600	400	510	600	580	733	641	650	900	750	295	275	450	490	840	935	720	2120	1930	24	



DISCHARGE (O.D.)

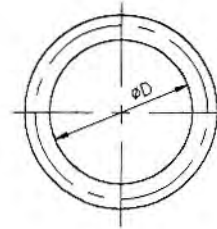
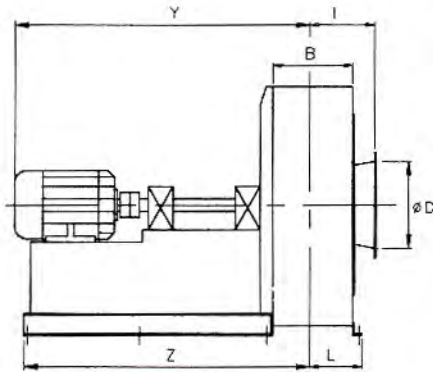
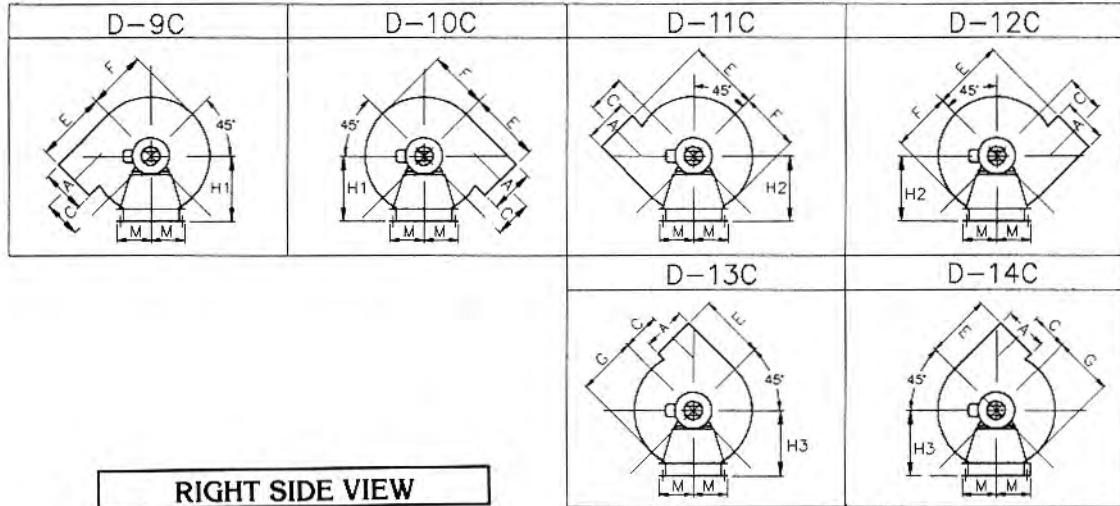


FOUNDATION

DT35G

		DT35G CD COUPLING DIRECT-DRIVE																			
MODEL	HP	A	B	C	øD	E	F	G	H1	H2	H3	I	L	M	Q	S	U	V	Y	Z	ød
DT35G- 1	3	300	200	180	300	300	295	247	250	400	300	185	140	200	240	360	320	320	800	780	12
DT35G- 2	5	300	200	210	300	300	326	279	300	450	350	185	140	250	240	460	380	460	1015	980	12
DT35G- 3	5	350	220	210	350	300	341	284	300	450	350	195	150	250	260	460	380	460	1025	990	12
DT35G- 4	7.5	350	220	240	350	300	373	318	350	500	400	195	150	250	260	460	460	460	1090	1070	12
DT35G- 5	10	350	220	240	350	300	373	318	350	500	400	195	150	250	260	460	460	460	1090	1070	12
DT35G- 6	10, 15	350	220	270	350	380	408	356	400	500	450	200	160	320	280	600	620	620	1430	1400	15
DT35G- 7	15	350	220	270	350	380	408	356	400	500	450	200	160	320	280	600	620	620	1430	1400	15
DT35G- 8	20	400	250	300	400	380	453	391	400	550	500	215	175	320	310	600	620	620	1445	1415	15
DT35G- 9	20, 25	400	250	300	400	380	453	391	400	550	500	215	175	320	310	600	620	620	1505	1415	15
DT35G-10	25, 30	400	250	330	400	380	483	421	450	600	500	215	175	320	310	600	620	620	1505	1415	15
DT35G- 11	40	450	300	330	450	440	500	430	450	650	500	240	215	400	370	740	675	720	1690	1610	19
DT35G- 12	40	450	300	360	450	440	531	462	500	650	550	240	215	400	370	740	675	720	1690	1610	19
DT35G- 13	50	450	300	360	450	440	531	462	500	650	550	240	215	400	370	740	720	720	1750	1655	19
DT35G- 14	65, 75	450	300	390	450	440	561	492	500	700	600	240	215	400	370	740	755	720	1790	1690	19
DT35G- 15	75, 100	500	350	390	500	440	578	500	500	700	600	265	240	400	420	740	815	720	1895	1775	19
DT35G- 16	100	500	350	420	500	470	609	533	550	750	650	265	240	400	420	740	815	720	1895	1775	19
DT35G- 17	100, 125	500	350	420	500	500	609	533	550	750	650	270	250	450	440	840	885	720	1915	1855	24
DT35G- 18	125, 150	600	400	450	600	500	672	579	600	850	700	295	275	450	490	840	885	720	2090	1880	24
DT35G- 19	150, 175	600	400	450	600	500	672	579	600	850	700	295	275	450	490	840	935	720	2120	1930	24
DT35G- 20	175, 200	600	400	480	600	540	700	609	600	850	700	295	275	450	490	840	935	720	2120	1930	24
DT35G- 21	200, 250	600	400	480	600	540	700	609	650	850	700	295	275	450	490	840	935	720	2180	1930	24
DT35G- 22	250	700	450	510	700	580	765	655	700	950	800	320	300	450	540	840	935	720	2215	1955	24

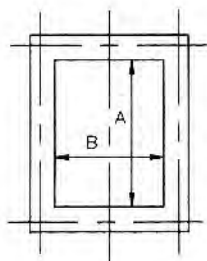
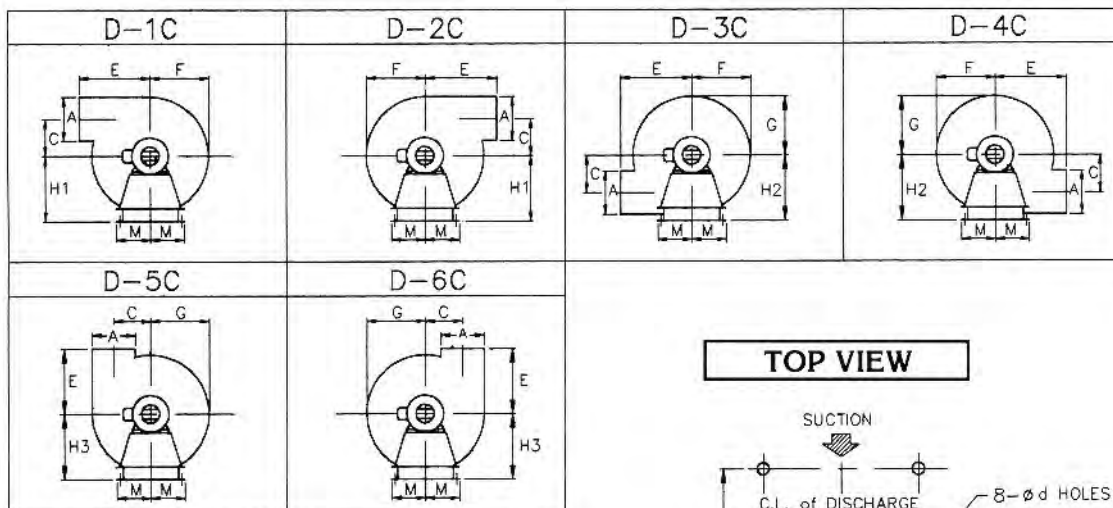
Castle Blower



SUCTION (O.D.)

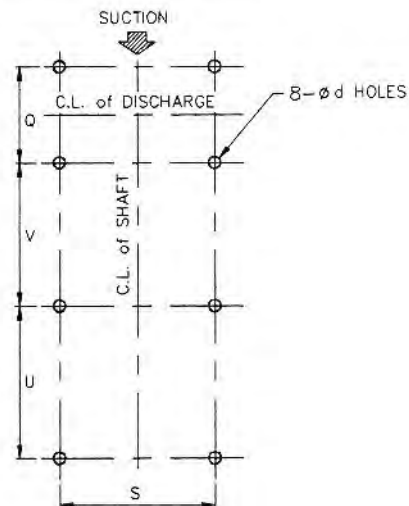
DT18E

		DT18E											CD	COUPLING DIRECT-DRIVE									
MODEL	HP	A	B	C	øD	E	F	G	H1	H2	H3	I	L	M	Q	S	U	V	Y	Z	ød		
DT18E- 5	1	250	150	240	250	280	340	303	350	450	350	159	115	200	190	360	320	320	720	755	12		
DT18E- 7	2	250	150	270	250	320	370	333	350	500	400	159	115	200	190	360	320	320	775	755	12		
DT18E- 9	2	250	150	300	250	350	400	363	400	500	450	159	115	200	190	360	320	320	775	755	12		
DT18E- 11	3	300	200	330	300	380	448	403	450	550	450	185	140	250	240	460	380	460	995	980	12		
DT18E- 13	3, 5	300	200	360	300	410	479	435	450	600	500	185	140	250	240	460	380	460	1015	980	12		
DT18E- 15	5	300	200	390	300	440	509	465	500	600	550	185	140	250	240	460	380	460	1015	980	12		
DT18E- 17	7.5	350	220	420	350	470	556	504	550	650	600	195	150	250	260	460	460	460	1090	1070	12		
DT18E- 19	7.5, 10	350	220	450	350	500	587	536	550	700	600	195	150	250	260	460	460	460	1130	1070	12		
DT18E- 21	10, 15	400	250	480	400	540	636	577	600	750	650	215	175	320	310	600	620	620	1445	1415	15		
DT18E- 23	15	400	250	510	400	580	666	607	650	800	700	215	175	320	310	600	620	620	1445	1415	15		
DT18E- 25	20	400	250	540	400	620	697	639	650	800	700	215	175	320	310	600	620	620	1485	1415	15		
DT18E- 27	25	450	300	570	450	660	744	678	700	900	750	240	200	320	360	600	620	620	1530	1440	15		
DT18E- 29	30	450	300	600	450	700	774	708	750	900	800	240	200	320	360	600	620	620	1530	1440	15		



DISCHARGE (O.D.)

TOP VIEW

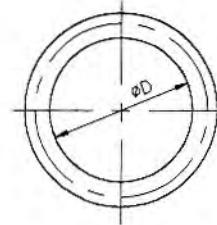
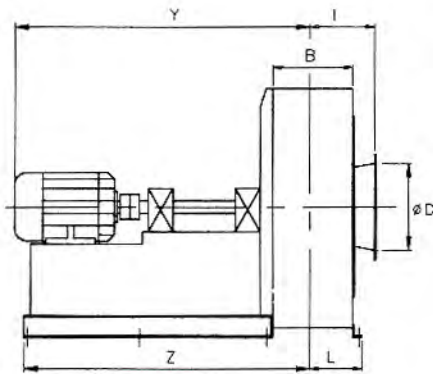
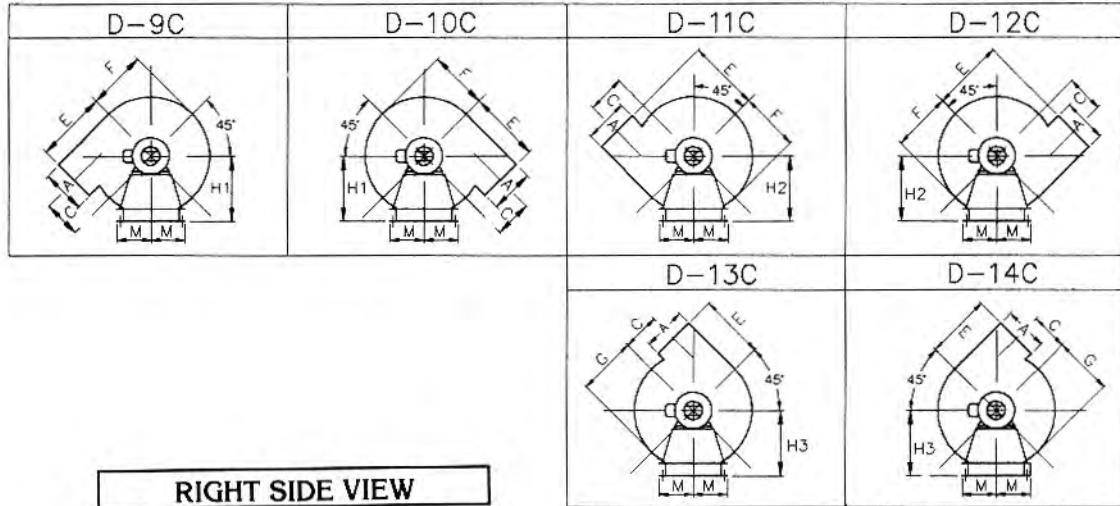


FOUNDATION

DT18F

DT18F																				CD	COUPLING DIRECT-DRIVE									
MODEL	HP	A	B	C	øD	E	F	G	HI	H2	H3	I	L	M	Q	S	U	V	Y	Z	ød									
DT18F- 5	1	300	200	240	300	280	356	310	350	450	400	184	140	200	240	360	320	320	800	780	12									
DT18F- 7	2	300	200	270	300	320	387	342	350	500	400	184	140	200	240	360	320	320	800	780	12									
DT18F- 9	3	350	220	300	350	350	434	380	400	550	450	195	150	250	260	460	380	460	1005	990	12									
DT18F- 11	3, 5	350	220	330	350	380	465	412	450	600	500	195	150	250	260	460	380	460	1025	990	12									
DT18F- 13	5	400	250	360	400	410	512	451	500	650	550	210	165	250	290	460	380	460	1040	1005	12									
DT18F- 15	7.5	400	250	390	400	440	543	483	500	650	550	210	165	250	290	460	460	460	1105	1085	12									
DT18F- 17	10	400	250	420	400	470	574	515	550	700	600	210	165	250	290	460	460	460	1145	1085	12									
DT18F- 19	15	450	300	450	450	500	623	556	600	750	650	240	200	320	360	600	620	620	1470	1440	15									
DT18F- 21	20	450	300	480	450	540	653	586	600	800	700	240	200	320	360	600	620	620	1510	1440	15									
DT18F- 23	20, 25	450	300	510	450	580	684	618	650	800	700	240	200	320	360	600	620	620	1530	1440	15									
DT18F- 25	30	500	350	540	500	620	731	657	700	850	750	265	225	320	410	600	620	620	1555	1465	15									
DT18F- 27	40	500	350	570	500	660	761	687	700	900	800	265	240	400	420	740	675	720	1715	1635	19									
DT18F- 29	40, 50	500	350	600	500	700	791	717	750	950	800	265	240	400	420	740	720	720	1805	1680	19									

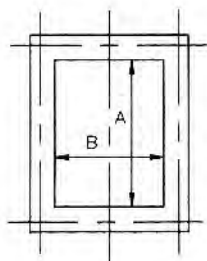
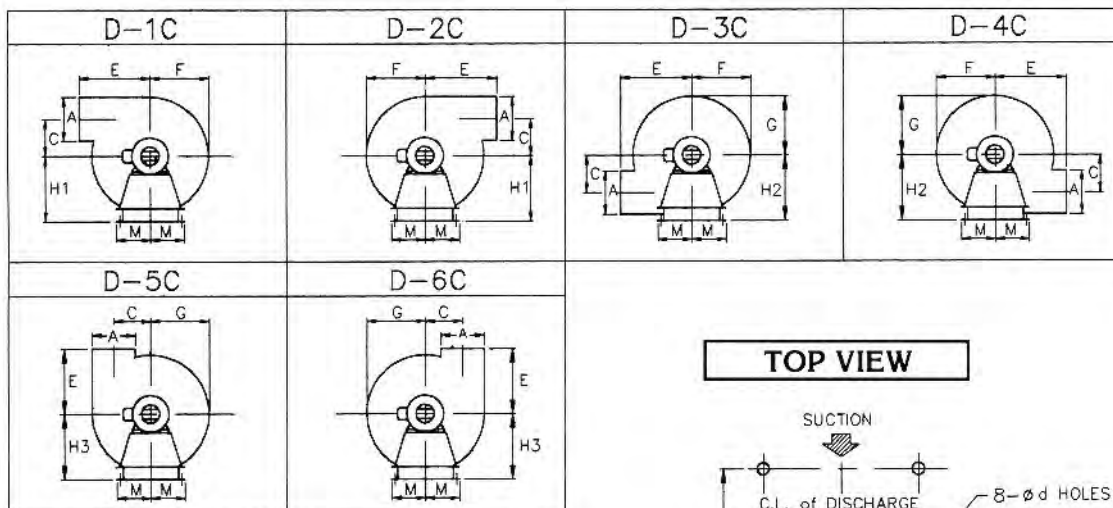
Castle Blower



SUCTION (O.D.)

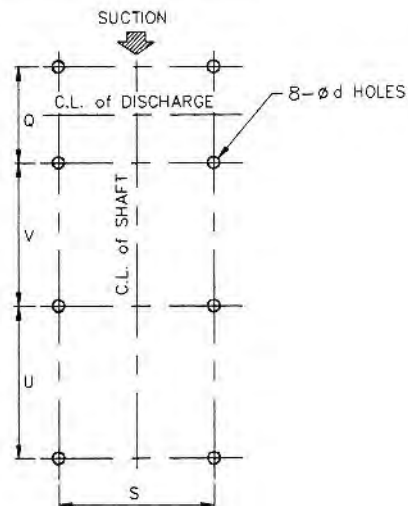
DT18G

		DT18G [CD] COUPLING DIRECT-DRIVE																			
MODEL	HP.	A	B	C	øD	E	F	G	H1	H2	H3	I	L	M	Q	S	U	V	Y	Z	ød
DT18G- 5	2	350	220	240	350	280	372	317	350	500	400	194	150	200	260	360	320	320	810	790	12
DT18G- 7	2	400	250	270	400	320	419	356	400	550	450	209	165	200	290	360	320	320	825	805	12
DT18G- 9	3	400	250	300	400	350	450	389	400	550	500	210	165	250	290	460	380	460	1020	1005	12
DT18G- 11	5	450	300	330	450	380	498	428	450	650	500	235	190	250	340	460	380	460	1065	1030	12
DT18G- 13	7.5	450	300	360	450	410	529	460	500	650	550	235	190	250	340	460	460	460	1130	1110	12
DT18G- 15	10	450	300	390	450	440	559	490	500	700	600	235	190	250	340	460	460	460	1170	1110	12
DT18G- 17	15	500	350	420	500	470	609	533	550	750	650	265	225	320	410	600	620	620	1495	1465	15
DT18G- 19	20	500	350	450	500	500	639	563	600	800	650	265	225	320	410	600	620	620	1535	1465	15
DT18G- 21	25	500	350	480	500	540	669	593	600	800	700	265	225	320	410	600	620	620	1555	1465	15
DT18G- 23	30, 40	600	400	510	600	580	733	641	650	900	750	290	265	400	470	740	675	720	1740	1660	19
DT18G- 25	40, 50	600	400	540	600	620	764	673	700	900	800	290	265	400	470	740	720	720	1830	1705	19
DT18G- 27	50, 60	700	450	570	700	660	828	721	750	1000	850	315	290	400	520	740	720	720	1855	1730	19
DT18G- 29	60, 75	700	450	600	700	700	860	755	800	1050	900	315	290	400	520	740	755	720	1895	1765	19



DISCHARGE (O.D.)

TOP VIEW

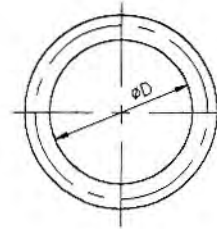
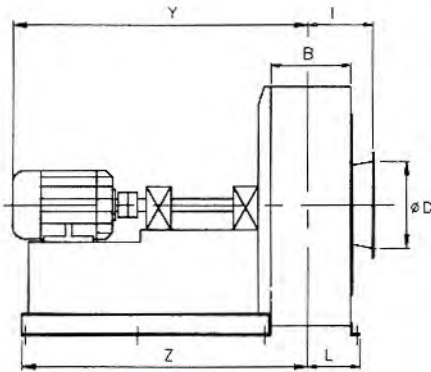
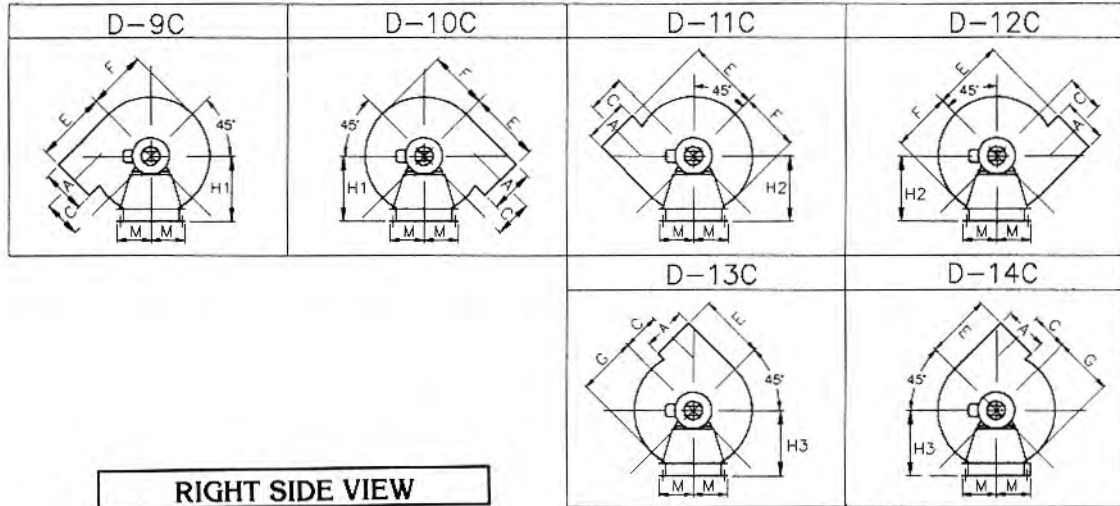


FOUNDATION

DT18H

		DT18H CD COUPLING DIRECT-DRIVE																			
MODEL	HP	A	B	C	øD	E	F	G	H1	H2	H3	I	L	M	Q	S	U	V	Y	Z	ød
DT18H- 5	2	400	250	240	400	280	388	324	350	500	400	209	165	200	290	360	320	320	825	805	12
DT18H- 7	3	450	300	270	450	320	436	363	400	550	450	235	190	250	340	460	380	460	1045	1030	12
DT18H- 9	5	500	350	300	500	350	482	401	450	600	500	260	215	250	390	460	380	460	1090	1055	12
DT18H- 11	7.5	500	350	330	500	380	514	435	450	650	550	260	215	250	390	460	460	460	1155	1135	12
DT18H- 13	10	600	400	360	600	410	576	479	500	750	600	285	240	250	440	460	460	460	1180	1160	12
DT18H- 15	15	600	400	390	600	440	610	515	550	750	650	290	250	320	460	600	620	620	1520	1490	15
DT18H- 17	20	600	400	420	600	470	641	547	550	800	650	290	250	320	460	600	620	620	1520	1490	15
DT18H- 19	25	700	450	450	700	500	704	593	600	900	750	315	275	320	510	600	620	620	1605	1515	15
DT18H- 21	30	700	450	480	700	540	766	637	650	950	800	315	275	320	510	600	620	620	1605	1515	15
DT18H- 23	40	800	500	510	800	580	798	669	700	1000	800	340	315	400	570	740	675	720	1790	1710	19
DT18H- 25	50, 60	800	500	540	800	620	828	700	700	1000	850	340	315	400	570	740	720	720	1850	1755	19
DT18H- 27	75	800	500	570	800	660	860	735	750	1050	900	340	315	400	570	740	755	720	1890	1790	19
DT18H- 29	100	900	550	600	900	700	930	795	800	1150	950	365	340	400	620	740	815	720	1995	1875	19

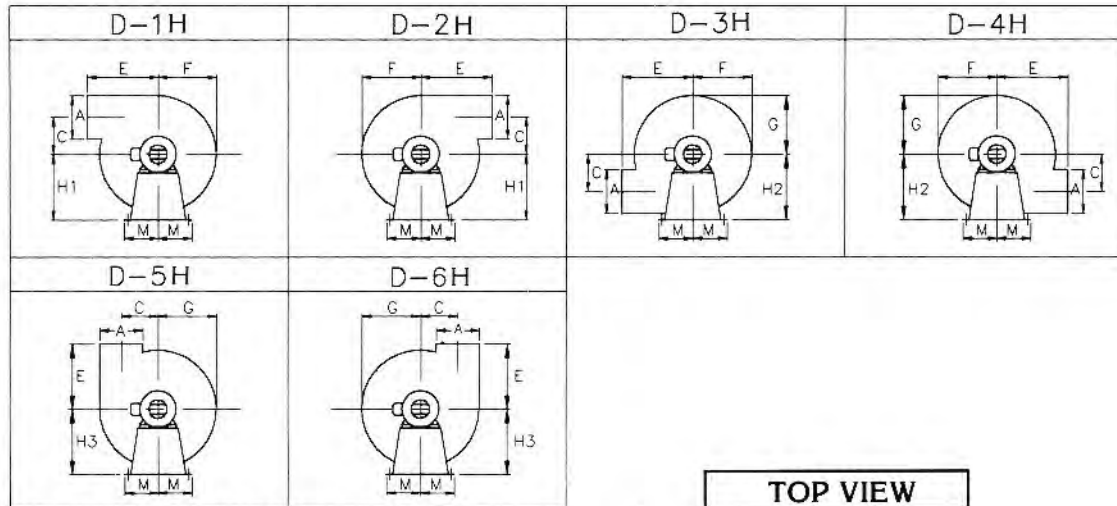
Castle Blower



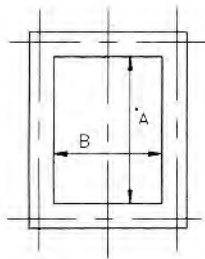
SUCTION (O.D.)

DT12J

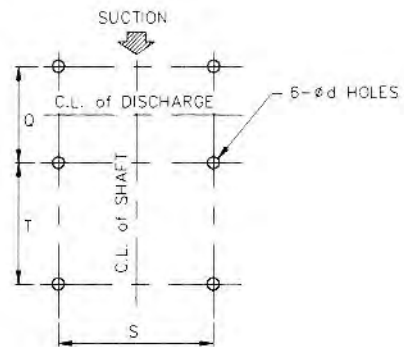
		DT12J [CD]											COUPLING DIRECT-DRIVE								
MODEL	HP	A	B	C	øD	E	F	G	H1	H2	H3	I	L	M	Q	S	U	V	Y	Z	ød
DT12J- 9	1	500	350	300	500	350	479	398	450	600	500	260	215	200	390	360	320	320	875	855	12
DT12J- 11	2	500	350	330	500	380	511	432	450	650	550	260	215	250	390	460	380	460	1070	1055	12
DT12J- 13	3	600	400	360	600	410	573	476	500	750	600	290	240	250	440	460	380	460	1115	1080	12
DT12J- 15	3	600	400	390	600	440	605	510	550	750	650	290	240	250	440	460	380	460	1115	1080	12
DT12J- 17	5	700	450	420	700	470	668	556	600	850	700	315	265	250	490	460	460	460	1205	1185	12
DT12J- 19	7.5	700	450	450	700	500	699	588	600	900	750	315	265	250	490	460	460	460	1205	1185	12
DT12J- 21	10	800	500	480	800	540	761	632	650	950	800	340	300	320	560	600	620	620	1570	1540	15
DT12J- 23	15	800	500	510	800	580	793	666	700	1000	800	340	300	320	560	600	620	620	1610	1540	15
DT12J- 25	20	900	550	540	900	620	855	710	750	1050	900	365	325	320	610	600	620	620	1655	1565	15
DT12J- 27	25	900	550	570	900	660	886	742	750	1100	900	365	340	400	620	740	675	720	1815	1735	19
DT12J- 29	30	1000	600	600	1000	700	960	810	850	1200	1000	390	365	400	670	740	675	720	1840	1760	19



TOP VIEW



DISCHARGE (O.D.)

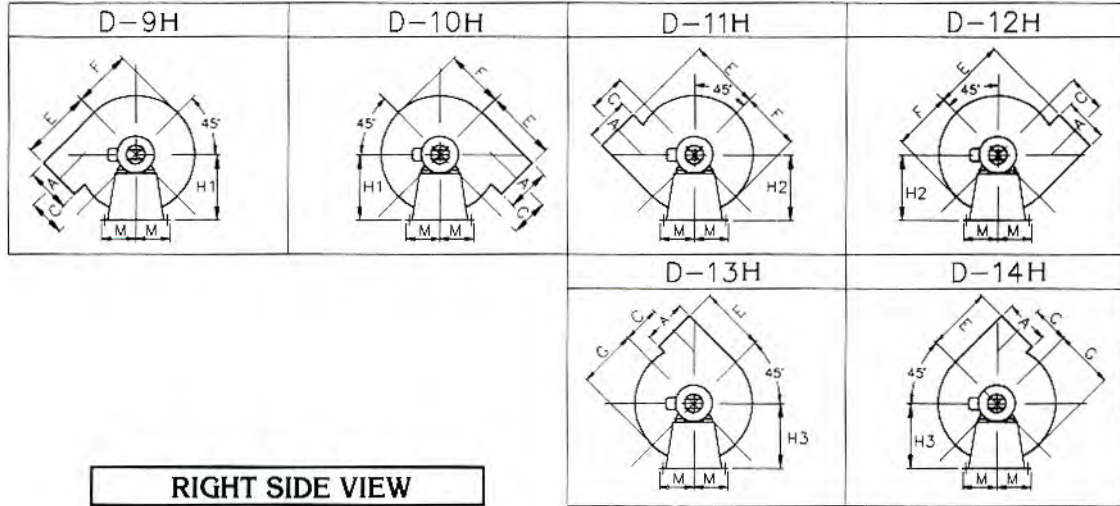


FOUNDATION

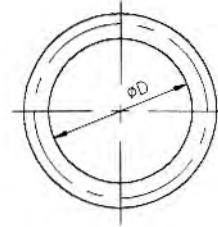
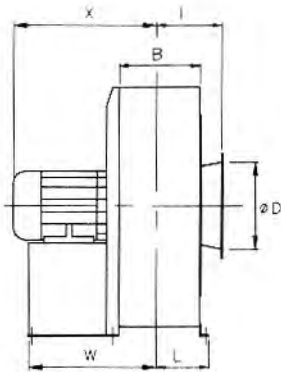
DT35A

DT35A		HMD	HORIZONTAL MOTOR DIRECT-DRIVE																	
MODEL	HP	A	B	C	øD	E	F	G	H1	H2	H3	I	L	M	Q	S	T	W	X	ød
DT35A- 1	1	100	80	180	100	250	228	214	250	300	250	124	80	200	120	360	180	260	275	12
DT35A- 2	1	100	80	210	100	250	258	244	250	300	300	124	80	200	120	360	180	260	275	12
DT35A- 3	1	100	80	210	100	250	258	244	250	300	300	124	80	200	120	360	180	260	275	12
DT35A- 4	1	100	80	240	100	280	288	274	300	350	300	124	80	200	120	360	180	260	275	12
DT35A- 5	2	100	80	240	100	280	288	274	300	350	300	124	80	200	120	360	180	260	315	12
DT35A- 6	2	100	80	270	100	320	318	304	350	400	350	124	80	200	120	360	180	260	315	12
DT35A- 7	2	100	80	270	100	320	318	304	350	400	350	124	80	200	120	360	180	260	315	12
DT35A- 8	2	100	80	300	100	350	348	332	350	400	350	124	80	200	120	360	180	260	315	12
DT35A- 9	3	125	80	300	125	350	358	339	350	450	400	125	80	200	120	360	180	260	315	12
DT35A-10	3	125	80	330	125	380	388	370	400	450	400	125	80	200	120	360	180	260	315	12
DT35A-11	5	125	80	330	125	380	388	370	400	450	400	125	80	250	120	460	210	290	370	12
DT35A-12	5	125	80	360	125	410	419	402	450	500	450	125	80	250	120	460	210	290	370	12
DT35A-13	5.75	150	100	360	150	410	427	406	450	500	450	135	90	250	140	460	280	370	420	12
DT35A-14	7.5	150	100	390	150	440	457	436	450	550	500	135	90	250	140	460	280	370	420	12
DT35A-15	7.5, 10	150	100	390	150	440	457	436	450	550	500	135	90	250	140	460	280	370	420	12
DT35A-16	10	150	100	420	150	470	487	466	500	550	500	135	90	250	140	460	280	370	420	12
DT35A-17	10, 15	200	120	420	200	470	507	479	500	600	550	150	110	320	180	600	380	490	570	15
DT35A-18	15	200	120	450	200	500	537	509	550	650	550	150	110	320	180	600	380	490	570	15
DT35A-19	15, 20	200	120	450	200	500	537	509	550	650	550	150	110	320	180	600	380	490	570	15
DT35A-20	20	200	120	480	200	540	567	539	550	650	600	150	110	320	180	600	380	490	570	15
DT35A-21	20, 25	200	120	480	200	540	567	539	550	650	600	150	110	320	180	600	380	490	610	15
DT35A-22	25	200	120	510	200	580	597	569	600	700	600	150	110	320	180	600	380	490	640	15

Castle Blower



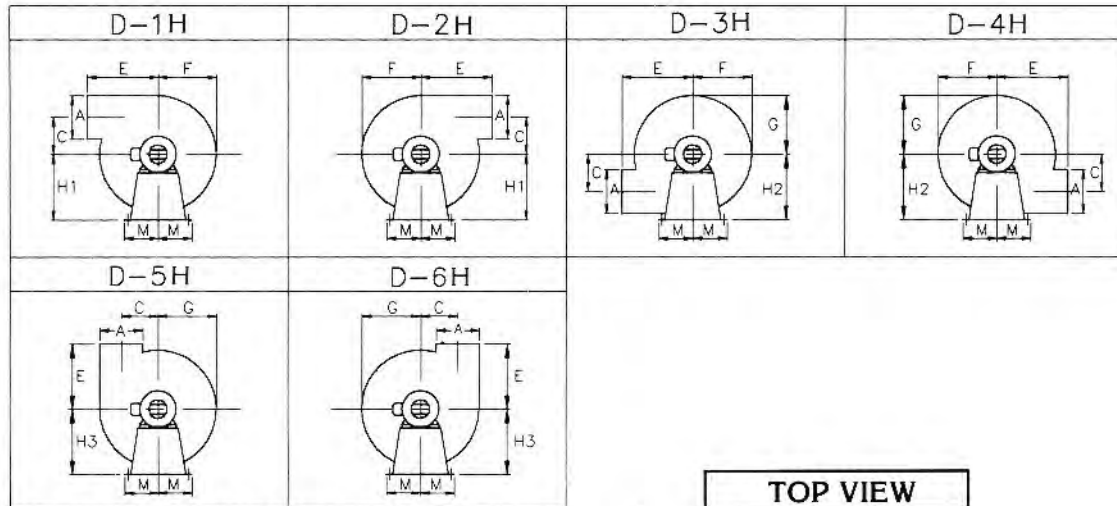
RIGHT SIDE VIEW



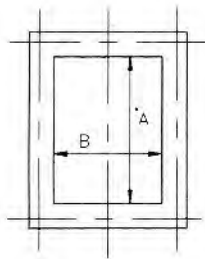
SUCTION (O.D.)

DT35B

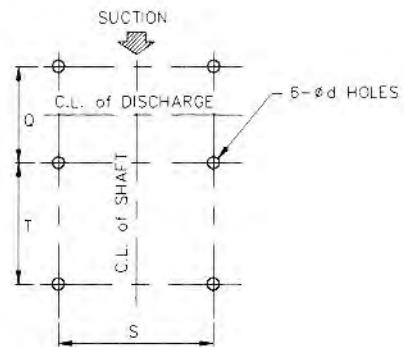
		DT35C											HMD										HORIZONTAL MOTOR DIRECT-DRIVE									
MODEL	HP	A	B	C	ϕD	E	F	G	H1	H2	H3	I	L	M	Q	S	T	W	X	ϕd												
DT35B- 1	1	100	80	180	100	250	228	214	250	300	250	124	80	200	120	360	180	260	275	12												
DT35B- 2	1	125	80	210	125	250	267	249	250	350	300	124	80	200	120	360	180	260	275	12												
DT35B- 3	1	125	80	210	125	250	267	249	250	350	300	124	80	200	120	360	180	260	275	12												
DT35B- 4	2	125	80	240	125	280	297	279	300	350	300	124	80	200	120	360	180	260	315	12												
DT35B- 5	2	125	80	240	125	280	297	279	300	350	300	124	80	200	120	360	180	260	315	12												
DT35B- 6	3	125	80	270	125	320	328	300	350	400	350	125	80	200	120	360	180	260	315	12												
DT35B- 7	3	150	100	270	150	320	337	316	350	400	350	135	90	200	140	360	180	270	325	12												
DT35B- 8	3	150	100	300	150	350	367	346	350	450	400	135	90	200	140	360	180	270	325	12												
DT35B- 9	5	150	100	300	150	350	367	346	350	450	400	135	90	250	140	460	210	300	380	12												
DT35B- 10	5	150	100	330	150	380	397	376	400	500	400	135	90	250	140	460	210	300	380	12												
DT35B- 11	7.5	150	100	330	150	380	397	376	400	500	400	135	90	250	140	460	280	370	420	12												
DT35B- 12	7.5	200	120	360	200	410	445	417	450	550	450	145	100	250	160	460	280	380	430	12												
DT35B- 13	7.5,10	200	120	360	200	410	445	417	450	550	450	145	100	250	160	460	280	380	430	12												
DT35B- 14	10	200	120	390	200	440	467	449	450	550	500	145	100	250	160	460	280	380	430	12												
DT35B- 15	10, 15	200	120	390	200	440	467	449	450	550	500	145	110	320	180	600	380	490	580	15												
DT35B- 16	15	250	150	420	250	470	524	488	500	600	550	165	125	320	210	600	380	505	595	15												
DT35B- 17	15, 20	250	150	420	250	470	524	488	500	600	550	165	125	320	210	600	380	505	595	15												
DT35B- 18	20	250	150	450	250	500	555	520	550	650	600	165	125	320	210	600	380	505	595	15												
DT35B- 19	25	250	150	450	250	500	555	520	550	650	600	165	125	320	210	600	380	505	625	15												
DT35B- 20	30	250	150	480	250	540	585	550	550	700	600	165	125	320	210	600	380	505	655	15												
DT35B- 21	30, 40	300	200	480	300	540	600	559	600	700	600	190	165	400	270	740	415	580	630	19												
DT35B- 22	40	300	200	510	300	580	632	589	600	750	650	190	165	400	270	740	415	580	630	19												



TOP VIEW



DISCHARGE (O.D.)

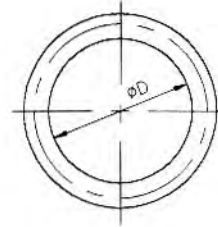
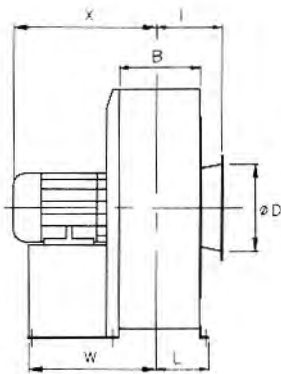
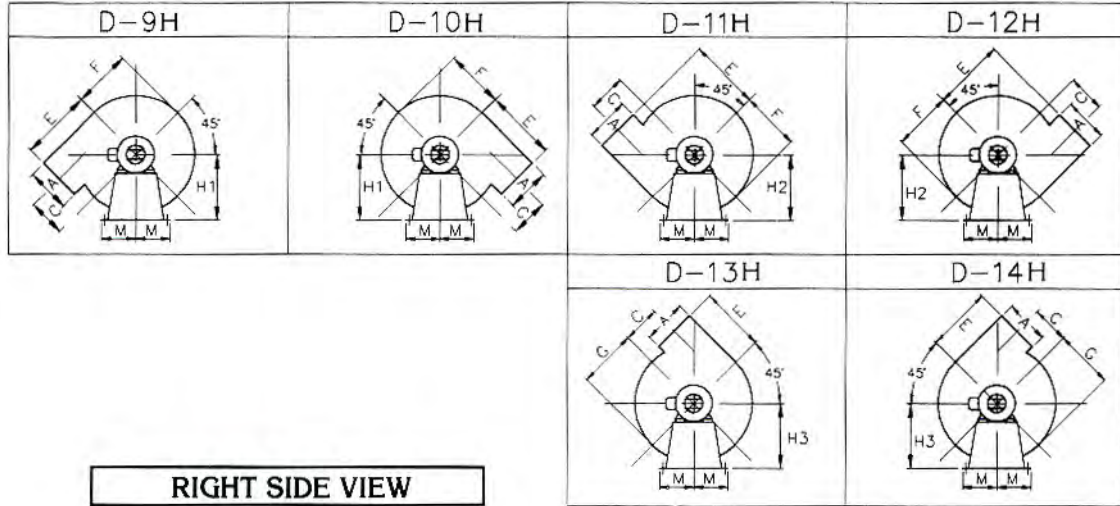


FOUNDATION

DT35C

DT35C		HMD																			HORIZONTAL MOTOR DIRECT-DRIVE																		
MODEL	HP	A	B	C	øD	E	F	G	H1	H2	H3	I	L	M	Q	S	T	W	X	ød																			
DT35C- 1	1	125	80	180	125	250	237	219	250	300	250	124	80	200	120	360	180	260	275	12																			
DT35C- 2	1, 2	150	100	210	150	250	275	253	300	350	300	134	90	200	140	360	180	270	325	12																			
DT35C- 3	2	150	100	210	150	250	275	253	300	350	300	134	90	200	140	360	180	270	325	12																			
DT35C- 4	2	150	100	240	150	280	306	285	300	400	350	134	90	200	140	360	180	270	325	12																			
DT35C- 5	3	150	100	240	150	300	307	286	300	400	350	134	90	200	140	360	180	270	325	12																			
DT35C- 6	3, 5	200	120	270	200	320	354	325	350	450	400	145	100	250	160	460	210	310	390	12																			
DT35C- 7	5	200	120	270	200	320	354	325	350	450	400	145	100	250	160	460	210	310	390	12																			
DT35C- 8	5	200	120	300	200	350	384	355	400	450	400	145	100	250	160	460	210	310	390	12																			
DT35C- 9	7.5	200	120	300	200	350	384	355	400	450	400	145	100	250	160	460	280	380	430	12																			
DT35C-10	7.5, 10	200	120	330	200	380	414	385	400	500	450	145	100	250	160	460	280	380	430	12																			
DT35C-11	10	200	120	330	200	380	414	385	400	500	450	145	100	250	160	460	280	380	430	12																			
DT35C-12	15	250	150	360	250	410	462	426	450	550	500	165	125	320	210	600	380	505	595	15																			
DT35C-13	15	250	150	360	250	410	462	426	450	550	500	165	125	320	210	600	380	505	595	15																			
DT35C-14	15, 20	250	150	390	250	440	492	456	500	600	500	165	125	320	210	600	380	505	595	15																			
DT35C-15	20	250	150	390	250	440	492	456	500	600	500	165	125	320	210	600	380	505	595	15																			
DT35C-16	25	250	150	420	250	470	522	486	500	600	550	165	125	320	210	600	380	505	625	15																			
DT35C-17	30	300	200	420	300	470	539	495	500	650	550	190	150	320	260	600	380	530	690	15																			
DT35C-18	40	300	200	450	300	500	572	529	550	700	600	190	165	400	270	740	415	580	730	19																			
DT35C-19	40	300	200	450	300	500	572	529	550	700	600	190	165	400	270	740	415	580	730	19																			
DT35C-20	50	300	200	480	300	540	600	559	600	700	600	190	165	400	270	740	485	650	780	19																			
DT35C-21	50	300	200	480	300	540	600	559	600	700	600	190	165	400	270	740	485	650	780	19																			
DT35C-22	60	350	220	510	350	580	649	598	600	750	650	200	175	400	290	740	485	660	790	19																			

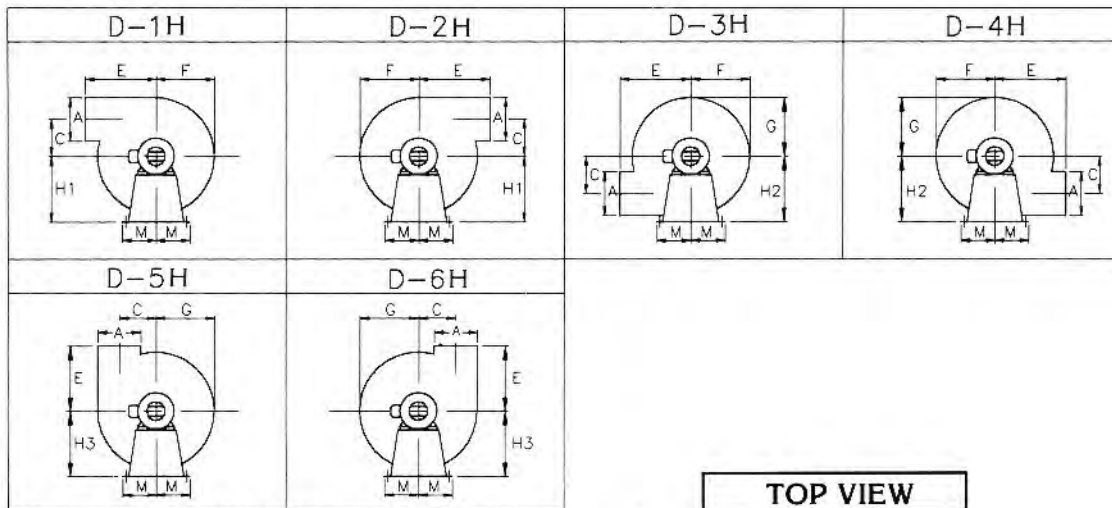
Castle Blower



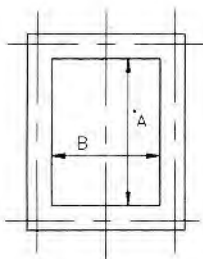
SUCTION (O.D.)

DT35D

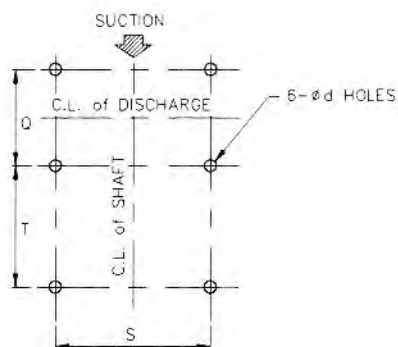
DT35D		HMD																			HORIZONTAL MOTOR DIRECT-DRIVE																		
MODEL	HP	A	B	C	φD	E	F	G	H1	H2	H3	I	L	M	Q	S	T	W	X	φd																			
DT35D- 1	2	150	100	180	150	250	245	223	250	300	250	134	90	200	140	360	180	270	325	12																			
DT35D- 2	2	200	120	210	200	250	292	262	300	350	300	144	100	200	160	360	180	280	335	12																			
DT35D- 3	3	200	120	210	200	300	293	263	300	350	300	145	100	200	160	360	180	280	335	12																			
DT35D- 4	3	200	120	240	200	300	323	293	300	400	350	145	100	200	160	360	180	280	335	12																			
DT35D- 5	5	200	120	240	200	300	323	293	300	400	350	145	100	250	160	460	210	310	390	12																			
DT35D- 6	5	250	150	270	250	320	371	334	350	450	400	160	115	250	190	460	210	325	405	12																			
DT35D- 7	7.5	250	150	270	250	320	371	334	350	450	400	160	115	250	190	460	280	395	445	12																			
DT35D- 8	7.5	250	150	300	250	350	401	364	400	500	450	160	115	250	190	460	280	395	445	12																			
DT35D- 9	10	250	150	300	250	350	401	364	400	500	450	160	115	250	190	460	280	395	445	12																			
DT35D-10	10	250	150	330	250	380	431	394	400	550	450	160	115	250	190	460	280	395	445	12																			
DT35D-11	15	250	150	330	250	380	433	396	400	550	450	165	125	320	210	600	380	505	595	15																			
DT35D-12	15	300	200	360	300	410	481	437	450	600	500	190	150	320	260	600	380	530	620	15																			
DT35D-13	20	300	200	360	300	410	481	437	450	600	500	190	150	320	260	600	380	530	620	15																			
DT35D-14	25	300	200	390	300	440	511	467	500	600	550	190	150	320	260	600	380	530	650	15																			
DT35D-15	25, 30	300	200	390	300	440	511	467	500	600	550	190	150	320	260	600	380	530	690	15																			
DT35D-16	30	350	220	420	350	470	558	506	550	650	600	200	160	320	280	600	380	540	690	15																			
DT35D-17	40	350	220	420	350	470	558	506	550	650	600	200	175	400	290	740	415	590	730	19																			
DT35D-18	40, 50	350	220	450	350	500	589	538	550	700	600	200	175	400	290	740	485	660	790	19																			
DT35D-19	50, 60	350	220	450	350	500	589	538	550	700	600	200	175	400	290	740	485	660	790	19																			
DT35D-20	60, 75	400	250	480	400	540	636	577	600	750	650	215	190	400	320	740	485	675	845	19																			
DT35D-21	75	400	250	480	400	540	636	577	600	750	650	215	190	400	320	740	485	675	845	19																			



TOP VIEW



DISCHARGE (O.D.)

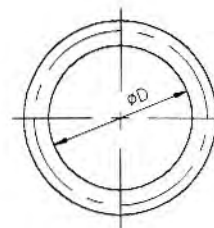
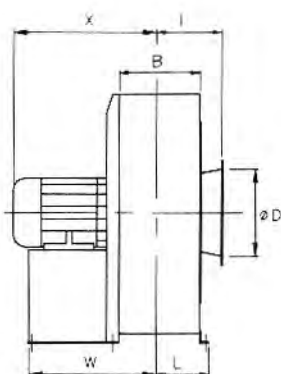
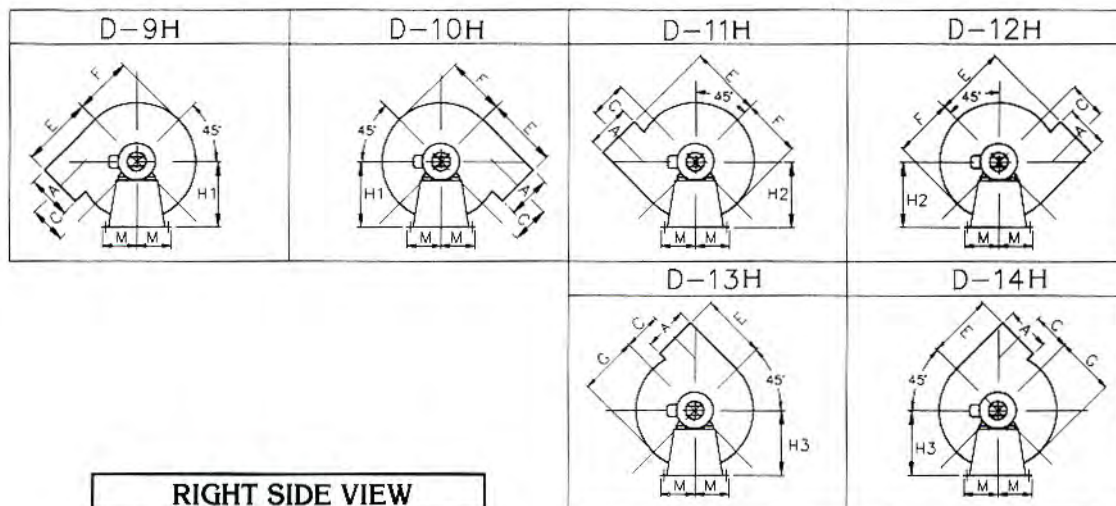


FOUNDATION

DT35E

DT35E		HMD HORIZONTAL MOTOR DIRECT-DRIVE																		
MODEL	HP	A	B	C	øD	E	F	G	H1	H2	H3	I	L	M	Q	S	T	W	X	ød
DT35E- 1	2	200	120	180	200	250	262	232	250	350	300	144	100	200	160	360	180	280	335	12
DT35E- 2	2	200	120	210	200	250	292	262	300	350	300	144	100	200	160	360	180	280	335	12
DT35E- 3	3	250	150	210	250	300	310	272	300	400	350	160	115	200	190	360	180	295	350	12
DT35E- 4	5	250	150	240	250	300	341	304	350	450	350	160	115	250	190	460	210	325	405	12
DT35E- 5	5	250	150	240	250	300	341	304	350	450	350	160	115	250	190	460	210	325	405	12
DT35E- 6	7.5	250	150	270	250	320	371	334	350	450	400	160	115	250	190	460	280	395	445	12
DT35E- 7	7.5	250	150	270	250	320	371	334	350	450	400	160	115	250	190	460	280	395	445	12
DT35E- 8	10	300	200	300	300	350	418	373	400	500	450	185	140	250	240	460	280	420	470	12
DT35E- 9	15	300	200	300	300	380	420	375	400	500	450	190	150	320	260	600	380	530	620	15
DT35E- 10	15	300	200	330	300	380	450	405	450	550	450	190	150	320	260	600	380	530	620	15
DT35E- 11	20	300	200	330	300	380	450	405	450	550	450	190	150	320	260	600	380	530	620	15
DT35E- 12	25	350	220	360	350	410	498	446	450	600	500	200	160	320	280	600	380	540	660	15
DT35E- 13	30	350	220	360	350	410	498	446	450	600	500	200	160	320	280	600	380	540	690	15
DT35E- 14	40	350	220	390	350	440	528	474	500	650	550	200	175	400	290	740	415	590	730	19
DT35E- 15	40, 50	400	250	390	400	440	545	485	500	650	550	215	190	400	320	740	485	675	805	19
DT35E- 16	50, 60	400	250	420	400	470	576	517	550	700	600	215	190	400	320	740	485	675	805	19
DT35E- 17	60, 75	400	250	420	400	470	576	517	550	700	600	215	190	400	320	740	485	675	845	19
DT35E- 18	75	450	300	450	450	500	623	556	600	750	650	240	215	400	370	740	485	700	870	19

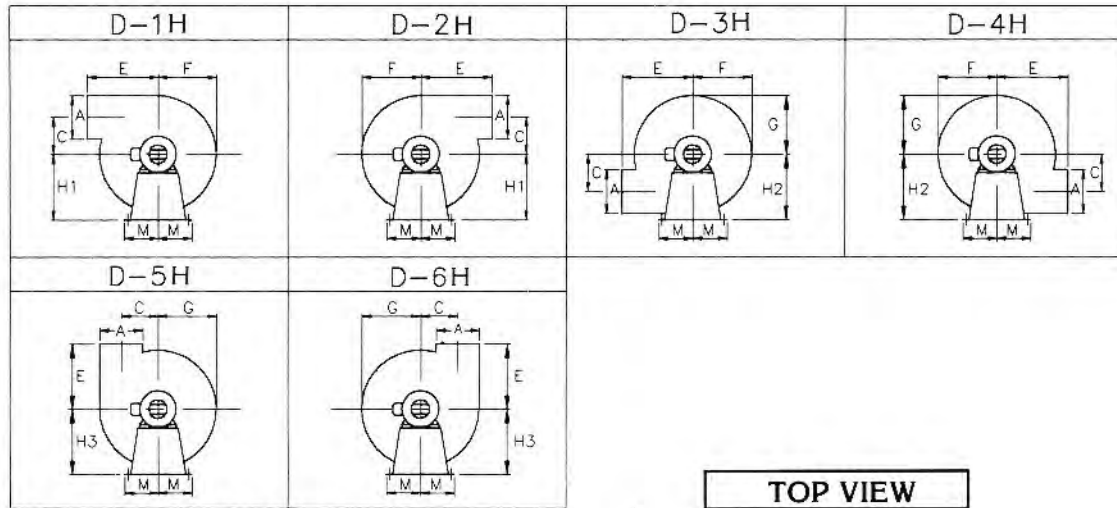
Castle Blower



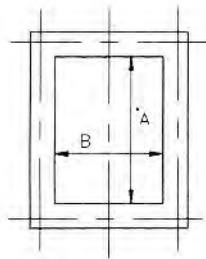
SUCTION (O.D.)

DT35F

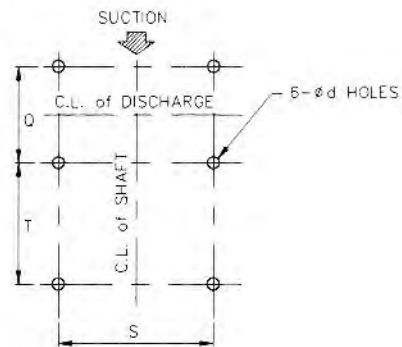
DT35F		HMD																			HORIZONTAL MOTOR DIRECT-DRIVE
MODEL	HP	A	B	C	øD	E	F	G	H1	H2	H3	I	L	M	Q	S	T	W	X	ød	
DT35F- 1	2	250	150	180	250	250	278	239	250	350	300	159	115	200	190	360	180	295	350	12	
DT35F- 2	3	250	150	210	250	300	310	272	300	400	350	159	115	200	190	360	180	295	350	12	
DT35F- 3	5	300	200	210	300	300	326	279	300	450	350	185	140	250	240	460	210	350	430	12	
DT35F- 4	5	300	200	240	300	300	357	311	350	450	400	185	140	250	240	460	210	350	430	12	
DT35F- 5	7.5	300	200	240	300	300	357	311	350	450	400	185	140	250	240	460	280	420	470	12	
DT35F- 6	7.5, 10	300	200	270	300	320	388	343	350	500	400	185	140	250	240	460	280	420	470	12	
DT35F- 7	10, 15	350	220	270	350	380	408	356	400	500	450	200	160	320	280	600	380	540	630	15	
DT35F- 8	15	350	220	300	350	380	436	382	400	550	450	200	160	320	280	600	380	540	630	15	
DT35F- 9	15, 20	350	220	300	350	380	436	382	400	550	450	200	160	320	280	600	380	540	630	15	
DT35F- 10	20, 25	400	250	330	400	380	483	421	450	600	500	215	175	320	310	600	380	555	675	15	
DT35F- 11	25, 30	400	250	330	400	380	483	421	450	600	500	215	175	320	310	600	380	555	705	15	
DT35F- 12	30, 40	400	250	360	400	440	514	453	500	650	550	215	190	400	320	740	415	605	745	19	
DT35F- 13	40	400	250	360	400	440	514	453	500	650	550	215	190	400	320	740	415	605	745	19	
DT35F- 14	50	450	300	390	450	440	561	492	500	700	600	240	215	400	370	740	485	700	830	19	
DT35F- 15	60	450	300	390	450	440	561	492	500	700	600	240	215	400	370	740	485	700	830	19	
DT35F- 16	75	450	300	420	450	470	592	524	550	700	600	240	215	400	370	740	485	700	870	19	



TOP VIEW



DISCHARGE (O.D.)

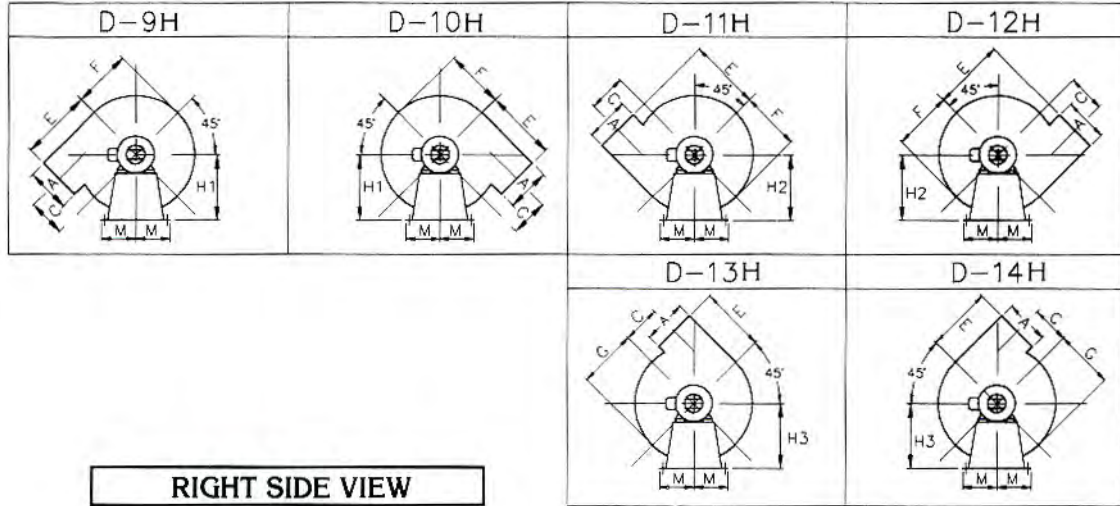


FOUNDATION

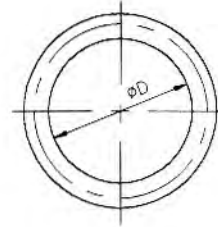
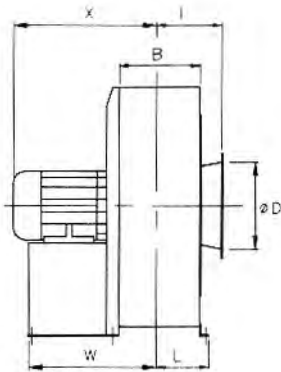
DT35G

		DT35G HMD											HORIZONTAL MOTOR DIRECT-DRIVE							
MODEL	HP	A	B	C	øD	E	F	G	H1	H2	H3	I	L	M	Q	S	T	W	X	ød
DT35G- 1	3	300	200	180	300	300	295	247	250	400	300	185	140	200	240	360	180	320	375	12
DT35G- 2	5	300	200	210	300	300	326	279	300	450	350	185	140	250	240	460	210	350	430	12
DT35G- 3	5	350	220	210	350	300	341	284	300	450	350	195	150	250	260	460	210	360	440	12
DT35G- 4	7.5	350	220	240	350	300	373	318	350	500	400	195	150	250	260	460	280	430	480	12
DT35G- 5	10	350	220	240	350	300	373	318	350	500	400	195	150	250	260	460	280	430	480	12
DT35G- 6	10, 15	350	220	270	350	380	408	356	400	500	450	200	160	320	280	600	380	540	630	15
DT35G- 7	15	350	220	270	350	380	408	356	400	500	450	200	160	320	280	600	380	540	630	15
DT35G- 8	20	400	250	300	400	380	453	391	400	550	500	215	175	320	310	600	380	555	645	15
DT35G- 9	20, 25	400	250	300	400	380	453	391	400	550	500	215	175	320	310	600	380	555	675	15
DT35G-10	25, 30	400	250	330	400	380	483	421	450	600	500	215	175	320	310	600	380	555	705	15
DT35G- 11	40	450	300	330	450	440	500	430	450	650	500	240	215	400	370	740	415	630	770	19
DT35G- 12	40	450	300	360	450	440	531	462	500	650	550	240	215	400	370	740	415	630	770	19
DT35G- 13	50	450	300	360	450	440	531	462	500	650	550	240	215	400	370	740	485	700	830	19
DT35G- 14	65, 75	450	300	390	450	440	561	492	500	700	600	240	215	400	370	740	485	700	870	19
DT35G- 15	75	500	350	390	500	440	578	500	500	700	600	265	240	400	420	740	485	725	895	19

Castle Blower



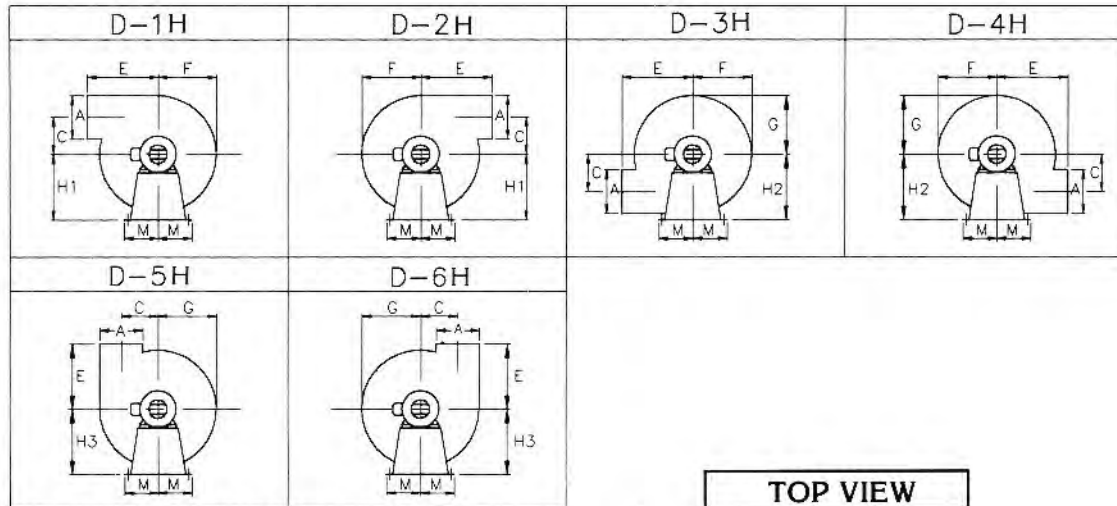
RIGHT SIDE VIEW



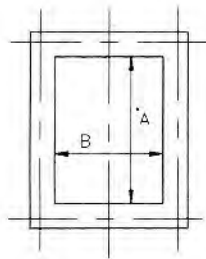
SUCTION (O.D.)

DT18E

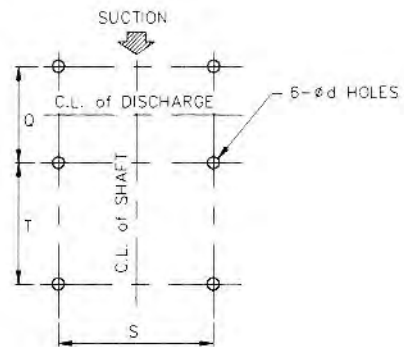
		DT18E HMD HORIZONTAL MOTOR DIRECT-DRIVE																		
MODEL	HP	A	B	C	øD	E	F	G	H1	H2	H3	I	L	M	Q	S	T	W	X	ød
DT18E- 5	1	250	150	240	250	280	340	303	350	450	350	159	115	200	190	360	180	295	310	12
DT18E- 7	2	250	150	270	250	320	370	333	350	500	400	159	115	200	190	360	180	295	350	12
DT18E- 9	2	250	150	300	250	350	400	363	400	500	450	159	115	200	190	360	180	295	350	12
DT18E- 11	3	300	200	330	300	380	448	403	450	550	450	185	140	250	240	460	210	350	405	12
DT18E- 13	3, 5	300	200	360	300	410	479	435	450	600	500	185	140	250	240	460	210	350	430	12
DT18E- 15	5	300	200	390	300	440	509	465	500	600	550	185	140	250	240	460	210	350	430	12
DT18E- 17	7.5	350	220	420	350	470	556	504	550	650	600	195	150	250	260	460	280	430	480	12
DT18E- 19	7.5, 10	350	220	450	350	500	587	536	550	700	600	195	150	250	260	460	280	430	520	12
DT18E- 21	10, 15	400	250	480	400	540	636	577	600	750	650	215	175	320	310	600	380	555	630	15
DT18E- 23	15	400	250	510	400	580	666	607	650	800	700	215	175	320	310	600	380	555	630	15
DT18E- 25	20	400	250	540	400	620	697	639	650	800	700	215	175	320	310	600	380	555	675	15
DT18E- 27	25	450	300	570	450	660	744	678	700	900	750	240	200	320	360	600	380	580	730	15
DT18E- 29	30	450	300	600	450	700	774	708	750	900	800	240	200	320	360	600	380	580	730	15



TOP VIEW



DISCHARGE (O.D.)

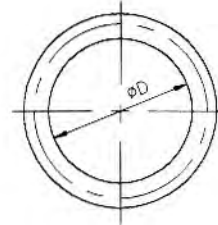
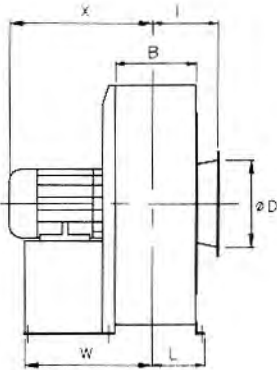
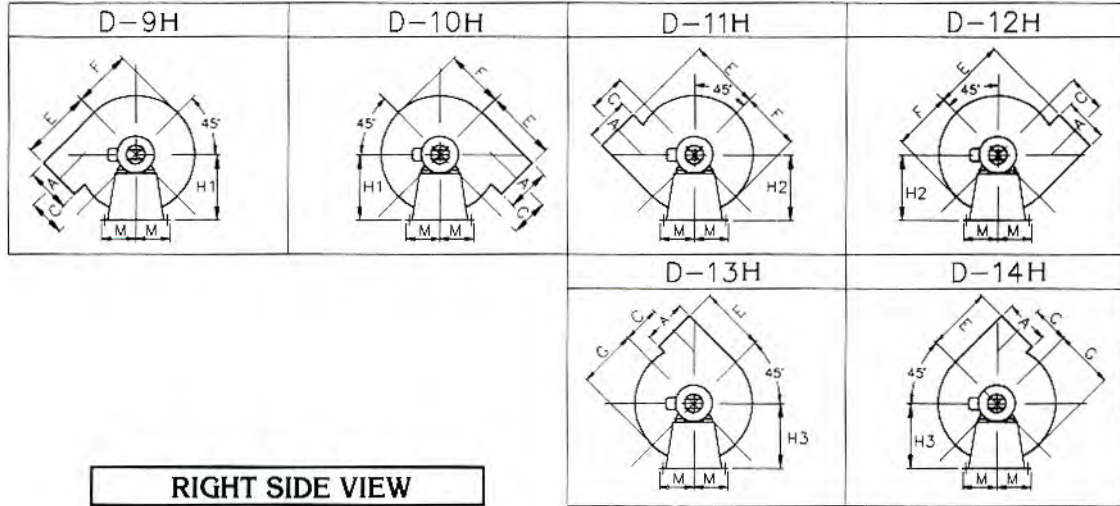


FOUNDATION

DT18F

		DT18F											HMD								HORIZONTAL MOTOR DIRECT-DRIVE							
MODEL	HP	A	B	C	øD	E	F	G	H1	H2	H3	I	L	M	Q	S	T	W	X	ød								
DT18F- 5	1	300	200	240	300	280	356	310	350	450	400	184	140	200	240	360	180	320	375	12								
DT18F- 7	2	300	200	270	300	320	387	342	350	500	400	184	140	200	240	360	180	320	375	12								
DT18F- 9	3	350	220	300	350	350	434	380	400	550	450	195	150	250	260	460	210	360	415	12								
DT18F- 11	3, 5	350	220	330	350	380	465	412	450	600	500	195	150	250	260	460	210	360	440	12								
DT18F- 13	5	400	250	360	400	410	512	451	500	650	550	210	165	250	290	460	210	375	455	12								
DT18F- 15	7.5	400	250	390	400	440	543	483	500	650	550	210	165	250	290	460	280	445	495	12								
DT18F- 17	10	400	250	420	400	470	574	515	550	700	600	210	165	250	290	460	280	445	535	12								
DT18F- 19	15	450	300	450	450	500	623	556	600	750	650	240	200	320	360	600	380	580	670	15								
DT18F- 21	20	450	300	480	450	540	653	586	600	800	700	240	200	320	360	600	380	580	700	15								
DT18F- 23	20, 25	450	300	510	450	580	684	618	650	800	700	240	200	320	360	600	380	580	730	15								
DT18F- 25	30	500	350	540	500	620	731	657	700	850	750	265	225	320	410	600	380	605	755	15								
DT18F- 27	40'	500	350	570	500	660	761	687	700	900	800	265	240	400	420	740	415	655	795	19								
DT18F- 29	40, 50	500	350	600	500	700	791	717	750	950	800	265	240	400	420	740	485	725	855	19								

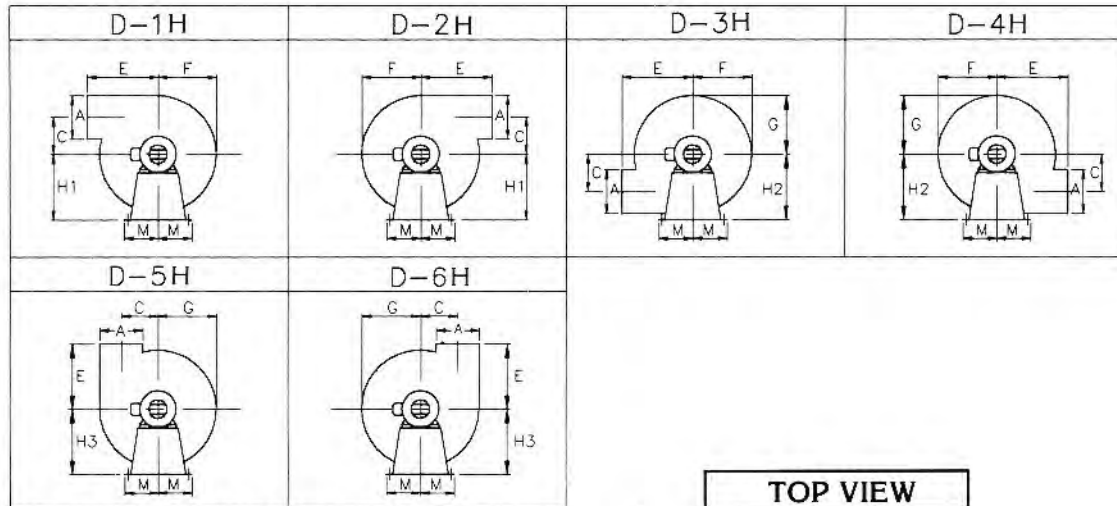
Castle Blower



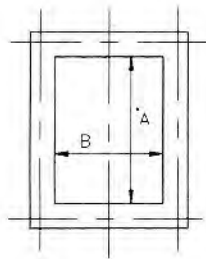
SUCTION (O.D.)

DT18G

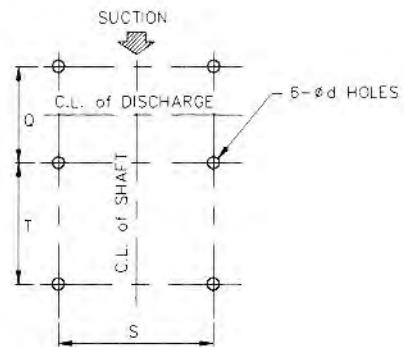
		DT18G HMD HORIZONTAL MOTOR DIRECT-DRIVE																		
MODEL	HP	A	B	C	øD	E	F	G	H1	H2	H3	I	L	M	Q	S	T	W	X	ød
DT18G- 5	2	350	220	240	350	280	372	317	350	500	400	194	150	200	260	360	180	330	385	12
DT18G- 7	2	400	250	270	400	320	419	356	400	550	450	209	165	200	290	360	180	345	400	12
DT18G- 9	3	400	250	300	400	350	450	389	400	550	500	210	165	250	290	460	210	375	430	12
DT18G- 11	5	450	300	330	450	380	498	428	450	650	500	235	190	250	340	460	210	400	480	12
DT18G- 13	7.5	450	300	360	450	410	529	460	500	650	550	235	190	250	340	460	280	470	520	12
DT18G- 15	10	450	300	390	450	440	559	490	500	700	600	235	190	250	340	460	280	470	560	12
DT18G- 17	15	500	350	420	500	470	609	533	550	750	650	265	225	320	410	600	380	605	695	15
DT18G- 19	20	500	350	450	500	500	639	563	600	800	650	265	225	320	410	600	380	605	725	15
DT18G- 21	25	500	350	480	500	540	669	593	600	800	700	265	225	320	410	600	380	605	755	15
DT18G- 23	30, 40	600	400	510	600	580	733	641	650	900	750	290	265	400	470	740	415	680	820	19
DT18G- 25	40, 50	600	400	540	600	620	764	673	700	900	800	290	265	400	470	740	485	750	880	19
DT18G- 27	50, 60	700	450	570	700	660	828	721	750	1000	850	315	290	400	520	740	485	775	905	19
DT18G- 29	60, 75	700	450	600	700	700	860	755	800	1050	900	315	290	400	520	740	485	775	945	19



TOP VIEW



DISCHARGE (O.D.)

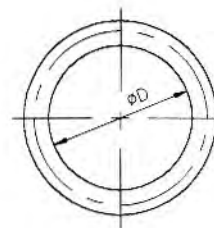
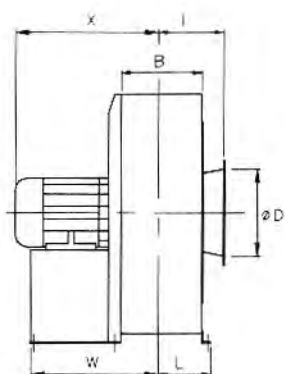
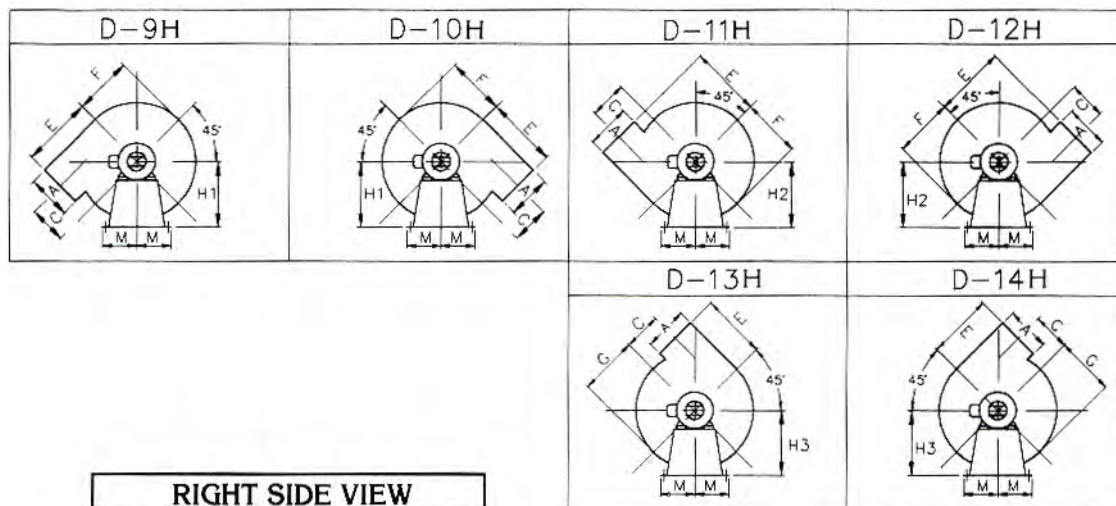


FOUNDATION

DT18H

DT18H		HMD																		HORIZONTAL MOTOR DIRECT-DRIVE																	
MODEL	HP	A	B	C	øD	E	F	G	H1	H2	H3	I	L	M	Q	S	T	W	X	ød																	
DT18H- 5	2	400	250	240	400	280	388	324	350	500	400	209	165	200	290	360	180	345	400	12																	
DT18H- 7	3	450	300	270	450	320	436	363	400	550	450	235	190	250	340	460	210	400	455	12																	
DT18H- 9	5	500	350	300	500	350	482	401	450	600	500	260	215	250	390	460	210	425	505	12																	
DT18H- 11	7.5	500	350	330	500	380	514	435	450	650	550	260	215	250	390	460	280	495	545	12																	
DT18H- 13	10	600	400	360	600	410	576	479	500	750	600	285	240	250	440	460	280	520	610	12																	
DT18H- 15	15	600	400	390	600	440	610	515	550	750	650	290	250	320	460	600	380	630	720	15																	
DT18H- 17	20	600	400	420	600	470	641	547	550	800	650	290	250	320	460	600	380	630	750	15																	
DT18H- 19	25	700	450	450	700	500	704	593	600	900	750	315	275	320	510	600	380	655	805	15																	
DT18H- 21	30	700	450	480	700	540	766	637	650	950	800	315	275	320	510	600	380	655	805	15																	
DT18H- 23	40	800	500	510	800	580	798	669	700	1000	800	340	315	400	570	740	415	730	870	19																	
DT18H- 25	50, 60	800	500	540	800	620	828	700	700	1000	850	340	315	400	570	740	485	800	930	19																	
DT18H- 27	75	800	500	570	800	660	860	735	750	1050	900	340	315	400	570	740	485	800	970	19																	

Castle Blower



SUCTION (O.D.)

DT12J

		DT12J										HMD										HORIZONTAL MOTOR DIRECT-DRIVE									
MODEL	HP	A	B	C	øD	E	F	G	H1	H2	H3	I	L	M	Q	S	T	W	X	ød											
DT12J- 9	1	500	350	300	500	350	479	398	450	600	500	260	215	200	390	360	180	395	450	12											
DT12J- 11	2	500	350	330	500	380	511	432	450	650	550	260	215	250	390	460	210	425	480	12											
DT12J- 13	3	600	400	360	600	410	573	476	500	750	600	290	240	250	440	460	210	450	530	12											
DT12J- 15	3	600	400	390	600	440	605	510	550	750	650	290	240	250	440	460	210	450	530	12											
DT12J- 17	5	700	450	420	700	470	668	556	600	850	700	315	265	250	490	460	280	545	595	12											
DT12J- 19	7.5	700	450	450	700	500	699	588	600	900	750	315	265	250	490	460	280	545	635	12											
DT12J- 21	10	800	500	480	800	540	761	632	650	950	800	340	300	320	560	600	380	680	770	15											
DT12J- 23	15	800	500	510	800	580	793	666	700	1000	800	340	300	320	560	600	380	680	800	15											
DT12J- 25	20	900	550	540	900	620	855	710	750	1050	900	365	325	320	610	600	380	705	855	15											
DT12J- 27	25	900	550	570	900	660	886	742	750	1100	900	365	340	400	620	740	415	755	895	19											
DT12J- 29	30	1000	600	600	1000	700	960	810	850	1200	1000	390	365	400	670	740	415	780	920	19											

主 要 產 品

Main Products

- ◆ 卡 特 鼓 風 機
- ◆ 氣 密 鼓 風 機
- ◆ 輸 送 用 鼓 風 機
- ◆ 超 低 噪 音 鼓 風 機
- ◆ 防 爆 型 鼓 風 機
- ◆ 耐 磨 耗 鼓 風 機
- ◆ 耐 腐 蝕 鼓 風 機
- ◆ 耐 高 溫 鼓 風 機
- ◆ 工 業 用 送 排 風 機
- ◆ 多 段 式 高 壓 鼓 風 機
- ◆ 單 段 式 鑄 造 型 鼓 風 機
- ◆ 多 段 鑄 造 型 高 壓 鼓 風 機
- ◆ 不 漏 氣 風 門
- ◆ 送 排 風 機 及 鼓 風 機 各 式 附 件
- ◆ 特 殊 型 送 排 風 機 及 鼓 風 機

- Cutter Blowers
- Gas Tight Blowers
- Conveyor Blowers
- Low Noise Blowers
- Explosion Proof Blowers
- Wear-Resistance Blowers
- Corrosion-Resistance Blowers
- High Temperature Resistance Blowers

- Mild Steel Fans & Blowers
- Mild Steel Multi-Steel Blowers
- Casting Blowers
- Casting Multi-Stage Blowers
- Leakless Dampers
- Accessories of Fan & Blowers
- Special Applications Fans & Blowers



Castle Blower, Inc.

Tel: +886 2 2905 1986
Fax: +886 2 8668 2874

info@castleblower.com
www.castleblower.com